

**Saeco** SUP018M  
INTERNATIONAL GROUP



Cod. 741414-15-16-18-22-23-25-26-27-30-41-45-64-75-76  
Cod. 10002885-3174-3175-3176-3177-3178-3179-3220

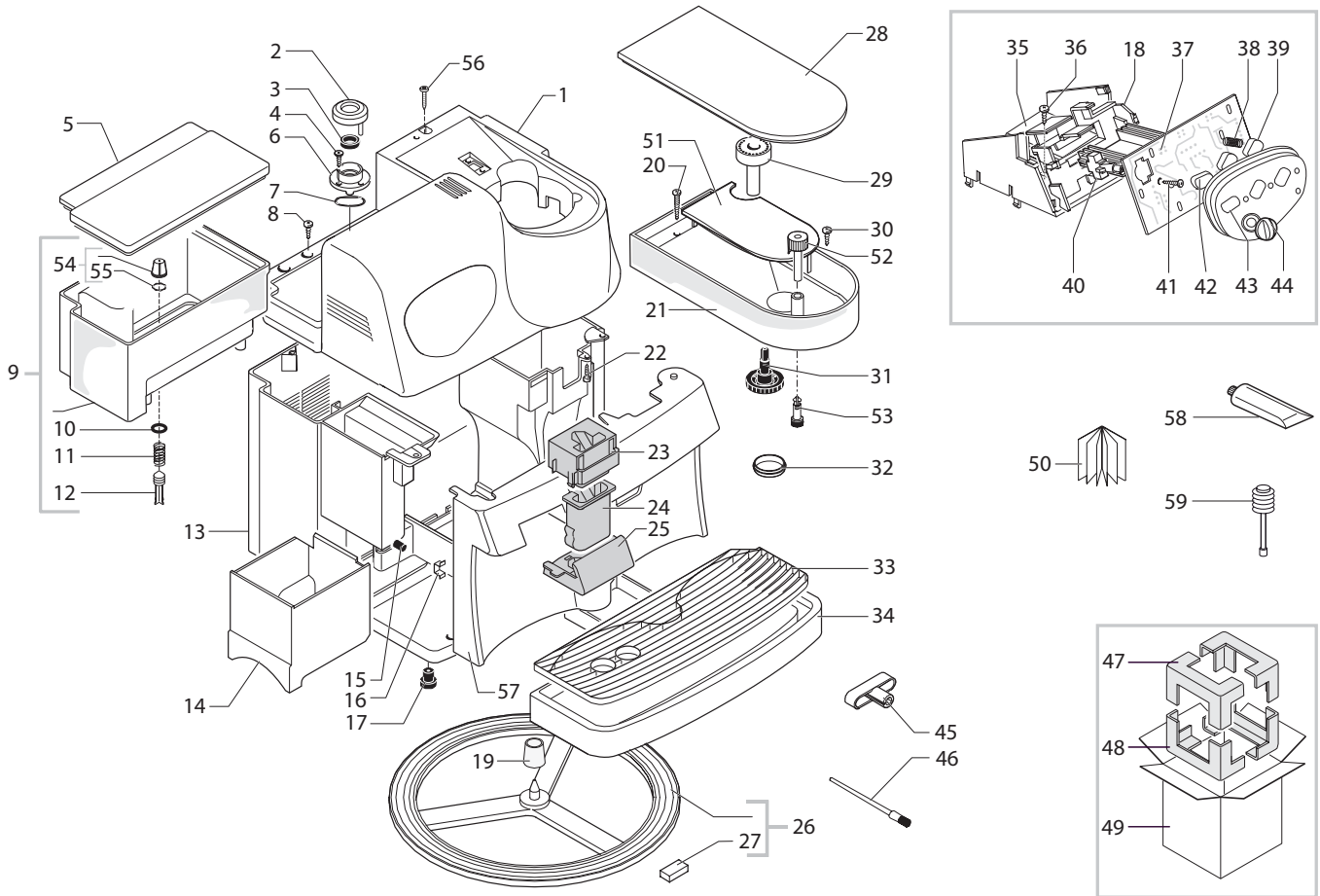
POS	CODE	DESCRIPTION	NOTE	POS	CODE	DESCRIPTION	NOTE
01	11006447	SILVER COVER M5000-SPIDEM		14	0311.004.520.A	AMARANTH GROUNDS CONTAINER M5000	
	11006586	SILVER COVER M5000-SPIDEM S/SCR.VIENNA			0311.004.270.A	YELLOW GROUNDS CONTAINER M5000	
	142851220	MARB/CREAM COVER M5000-SPIDEM			0311.004.110.A	ANTHR/GREY GROUNDS CONTAINER M5000	
	11006446	DARK/BLUE COVER M5000-SPID.			11012396	MEZZANOTTE GROUNDS CONTAINER M5000	
	222820184	BLUE COVER M5000-SPIDEM		15	9991.105	MAGNET D.9MM	
	222820190	AMARANTH COVER M5000-SPIDEM		16	0311.020	BRACKET FOR DOOR CLOSURE	
	142851221	YELLOW COVER M5000-SPIDEM		17	147622850	BLACK FOOT	
	11006445	ANTRACITHE/GREY COVER M5000-SPIDEM		18	147756600	ELECTRONICS BOARD PROTECTION M5000	
	142851253	METAL.BLACK COVER M5000-SPIDEM		19	145894700	ROTATING RING RETAINING INSERT	
	142851200	GREY/7035 COVER M5000-SPIDEM		20	129517103	SCREW TCB3,5X38,1 DIN 7981 GALV	
	11012405	MEZZANOTTE COVER M5000-SPIDEM		21	222710980	B.CONT.AS.W/O SLOT W/O DOS ADJ.M50	230V
	11021722	MEZZANOTTE COVER M5000-SPID.			222710780	B.CONT.AS.W/SLOT W/O DOS ADJ. M500	120V
	142851200	GREY/7035 COVER M5000-SPID.			142713180	B.CONT.GREY W/O SLOT W/O DOS R.S50	
	222820141	SILVER COVER M5000-SPID.			142713780	BEAN CONT. W/SLOTS W/ DOS REG. S50	
02	0701.031.150	SEAL COVER GREY			142713680	BEAN COFFEE CONTAINER GREY	
03	145842900	WATER CONTAIN.VALVE SEAL GACO DIM14		22	129670202	PANE. TCB SCREW 3,5X16 TESTA D=8 Z	
04	129535721	SCREW TSP3,5X9,5 DIN 7982 SS		23	0311.022.380	METAL/BLACK FIXED DISPENSING CHANNEL	
05	0311.008.380	METAL/BLACK WATER CONTAINER LID M5000			0311.022.620	SPIDEM/GREY FIXED DISPENSING CHANNEL	
	0311.008.620	SPIDEM/GREY WATER CONTAIN.LID M5000		24	0311.011.380	METAL/BLACK MOBILE DISPENSING CHANNEL	
	0311.008.730	BLUE/5013 WATER CONTAINER LID M5000			0311.011.620	SPIDEM/GREY MOBILE DISPENSING CHANNEL	
	0311.008.580	SILVER WATER CONTAINER LID M5000		25	0311.012.380	DISPENSING SUPPORT METALLIZAT.BLACK	
	0311.008.520.A	AMARANTH WATER CONTAINER LID M5000			0311.012.620	DISPENSING SUPPORT GREY SPIDEM	
	0311.008.730.A	DARK/BLUE WATER CONTAINER LID M5000			11012392	MEZZANOTTE DISPENSER SUPPORT M5000	
	11012394	MEZZANOTTE WATER CONTAINER LID M5000			11022221	SILVER DISPENSER SUPPORT M5000	
06	0701.014.150	SEAL CONTAINER GREY		26	220380159	ROTATING RING ASS.GREY/BLACK FEET	
07	0312.022	SEAL FOR VALVE CONTAINER		27	147622150	BLACK FOOT FOR REVOLVING RING	
08	U143.007	SCREW TORX TCB 2,9X19 SS BUR		28	0311.009.380	METAL/BLACK COFFEE CONTAINER LID M5000	
09	222693880	TRANSP/GREY WATER CONTAINER M5000 AS.			0311.009.620	SPIDEM/GREY COFFEE CONTAINER LID M5000	
	222694080	WATER CONTAINER AS.M5000 TRANS/GREY OR	SPIDEM TREVI JAP		0311.009.730	BLUE/5013 COFFEE CONTAINER LID M5000	
	140324362	OR METRIC 0060-30 IN SILICONE			0311.009.580	SILVER COFFEE CONTAINER LID M5000	
10	126764718	SPRING FOR WATER CONTAINER VALVE			0311.009.520.A	AMARANTH COFFEE CONTAINER LID M5000	
11	147660562	GREY WATER VALVE CONTAINER PISTON			0311.009.730.A	DARK/BLUE COFFEE CONTAINER LID M5000	
12	0311.A03.670	GREY/3557 CASING M5000 + FEET ASSY.	WITH PAN*15-17-19		11012395	MEZZANOTTE COFFEE CONTAINER LID M5000	
	0311.A03.580	SILVER CASING M5000 + FEET ASSY.	WITH PAN*15-17-19	29	9141.051.490	GRINDING ADJUSTMENT KNOB	
	0311.A03.600	MARB.CREAM CASING M5000 + FEET ASSY.	WITH PAN*15-17-19	30	U109.029	SCREW AUT.TCB 3,5X32 DIN 7981 C	
	0311.A03.520.A	AMARANTH CASING M5000 + FEET ASSY.	WITH PAN*15-17-19	31	146000850	GEAR COFF. GRIND. ADJUSTMENT COMBI	
	0311.A03.730.A	DARK BLUE CASING M5000 + FEET ASSY.	WITH PAN*15-17-19	32	9161.270	SEAL FOR COFFEE CONTAINER	
	0311.A03.270.A	YELLOW CASING M5000 + FEET ASSY.	WITH PAN*15-17-19	33	0311.010.380	GRATE M5000 METALIZED BLACK	
	0311.A03.110.A	ANTR/GREY CASING M5000 + FEET ASSY.	WITH PAN*15-17-19		0311.010.620	GRATE M5000 GREY SPIDEM	
	11012393	MEZZANOTTE CASING M5000 + FEET ASSY.	WITH PAN*15-17-19		0311.010.730	GRATE M5000 BLUE/5013	
	11003887	UNPAINTED CASING M5000 + FEET ASSY.	WITH PAN*15-17-19		0311.010.580	GRATE M5000 SILVER	
14	0311.004.580	SILVER GROUNDS CONTAINER M5000		34	0311.005.380	METAL/BLACK DRIP TRAY M5000	
	0311.004.600	MARB./CREAM GROUNDS CONTAINER M5000			0311.005.620	SPIDEM/GREY DRIP TRAY M5000	
	0311.004.670	GREY/3557 GROUNDS CONTAINER M5000			0311.005.670	GREY/3557 DRIP TRAY M5000	
	0311.004.730.A	DARK/BLUE GROUNDS CONTAINER M5000			0311.005.730	BLUE/5013 DRIP TRAY M5000	

**Saeco**  
INTERNATIONAL GROUP

VIENNA DLX & PL, SPIDEM TREVI

Rev. 12 - 02/09/09

TAVOLA 1A/5



**Saeco** SUP018M  
INTERNATIONAL GROUP



Cod. 741414-15-16-18-22-23-25-26-27-30-41-45-64-75-76  
Cod. 10002885-3174-3175-3176-3177-3178-3179-3220

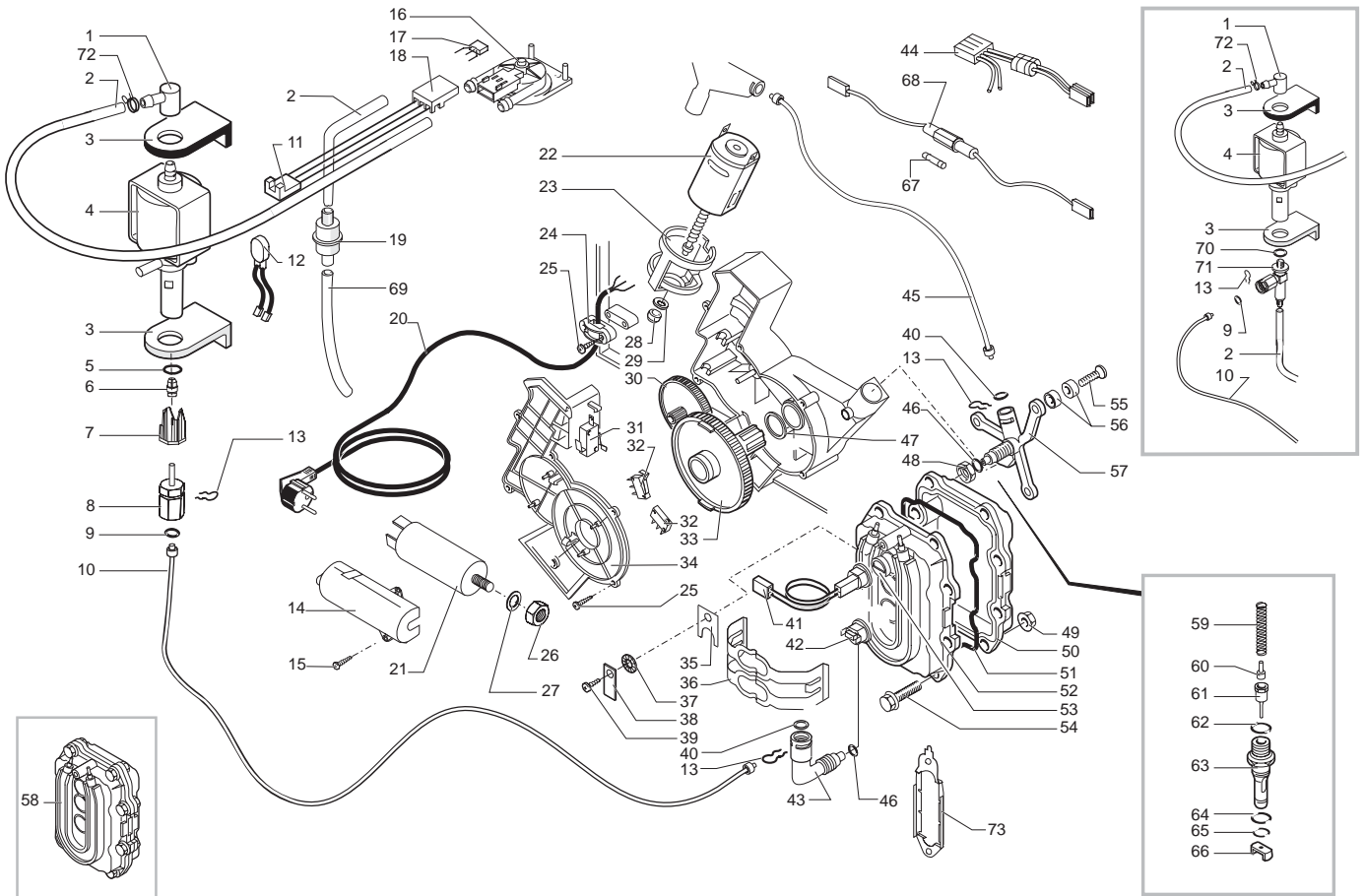
POS	CODE	DESCRIPTION	NOTE	POS	CODE	DESCRIPTION	NOTE
34	0311.005.580	SILVER DRIP TRAY M5000		48	175894000	LOWER INSERT POLYST.BOX M5000	
	0311.005.520.A	AMARANTH DRIP TRAY M5000		49	178512200	FLEXOGRAPHATE BOX SPIDEM M5000 TREVI	
	0311.005.220.A	CHROMED DRIP TRAY M5000			178503300	FLEX.BOX SAECO M5000 VIA VENEZIA	
	229631288	DRIP TRAY M5000 CHROMED			178500700	FLEXOGRAPH BOX RIVIERA & BAR S 600	
	11012409	MEZZANOTTE DRIP TRAY M5000	TREVI BLUE DARK		178505000	DISPLAY BOX SAECO M5000 VIENNA	
35	11006299	BLACK SUPP. FOR ELECTRONIC CARD M5000			178502400	FLEXOGRAPH BOX SAECO TREVI AUTOM	
	0311.017.150	GREY SUPP. FOR ELECTRONIC CARD M5000			13000967	FLEXOGRAPHATE BOX SAECO VIENNA PLUS	
36	129660902	PANELVIT TCB SCREW 3,5X12 D.7505 Z			13001090	FLEXOGRAPHATE BOX SAECO VIENNA PLUS	
37	181565558	ELECT.BOARD M5000-V2 + /PREINF.230	WITH ALUM. BOIL.	50	165934300	INSTRUCTIONS MANUAL NEUTRAL SUP 018M	
	181565555	EL.BOARD .CPU M5000-V2 W/O/PREINF.1	WITH ALUM. BOIL.		15001915	INSTRUCT.MANUAL NEUTRAL SUP018M GB/P	
37	181554658	ELECTR.BOARD M5000-V3 + PREINF.230V	WIT. AL. BO. WIT. RES.		15001921	IN.MANUAL SUP018M SAE VIENNA PL.GB/F/E/P	
	181554655	ELECTR.BOARD M5000-V3 + PREINF.120V	WIT. AL. BO. WIT. RES.		15001922	INSTR.MANUAL SUP018M SAE VIENNA PL.GB/P	
38	9161.220	SPRING FOR FUNCTION BUTTON			15001923	INSTR.MANUAL SUP018M SAE VIENNA PL.CHN	
39	0324.002.380	MET.BLACK FUNCTION BUTT. M5000-COMTES.		51	147755280	BEAN CONT. PROT. + DOS ADJUST S500	120V
	0324.002.620	GREY SPIDEM FUNCT.BUTT. M5000-COMTES		52	147715659	COFFEE DOSE ADJUST. KNOB M5000	
	0324.002.730	BLUE/5013 FUNCTION BUTT. M5000-COMTES.		53	146001850	COFFEE DOSE ADJ.GEAR BLACK M5000	
	0324.002.580	SILVER FUNCTION BUTTON M5000-COMTES.		54	224640200	EXTERNAL FILTER FOR WATER CONTAIN. AS.	
40	NE03.029	ROLD SWITCH CM E1058	230V	55	140328461	EPDM OR METRIC 0190-10	
	186076255	UNIP. SWITCH ROLD 120V CM A1058	120V	56	U140.009	PANELVIT TCB 3,0X16 DIN 7505 B GAL	
41	U140.004	PANELVIT TCB 3,0X12 DIN 7505 B GAL		57	228991641	DOOR M5000 SILVER S/SCR.VIEN.DELUX	
42	0324.003.380	ON/OFF BUTTON M5000-COMT.MET.BLACK			228991741	SILVER DOOR M5000 S/SCR.SPIDEM TREVI	
	0324.003.620	ON/OFF BUTT.M5000-COMT.GREY SPIDEM			228991841	SILVER DOOR M5000 S/SCREEN RIVIERA	
	0324.003.730	ON/OFF BUTTON M5000-COMT.BLUE/5013			228991620	DOOR M5000 M.CREAM S/SCR.VIEN.DELU	
	0324.003.580	ON/OFF BUTTON M5000-COMTESSE SILVER			228992284	DOOR M5000 BLUE S/SCR.SPIDEM MILLE	
43	224882300	GREY/7035 FRONT PAN. M5000-SPID.S/SCRE.			228992384	DOOR M5000 BLUE S/SCR.SAECO MILLEN	
	11006620	SILVER FRONT PAN. M5000-SPID.S/SCR.GREY			228992390	DOOR M5000 AMAR.S/SCR.SAECO MILLEN	
	224882320	MARB/CREAM FRONT PAN. M5000-SPID.S/SCR.			228992290	DOOR M5000 AMAR.S/SCR.SPIDEM MILLE	
	224882353	MET/BLACK FRONT PANEL M5000-SPID.S/SCR.			228992186	DOOR M5000 CHROMED S/SCR.SAECO TRE	
	224882384	TRANSP/BLUE FRONT PAN. M5000-SPID.S/SCR			228992586	DOOR M5000 CHROM.S/SCR.SAECO EXCLU	
	224882390	AMARANT.FRONT PAN. M5000-SPID.S/SCREEN			228992686	DOOR M5000 CHROM. S/SCR.SAEC.V.VIEN	
	224882343	DARK/BLUE FRONT PAN. M5000-SPID.S/SCRE.			228991721	YELLOW DOOR M5000 S/SCREEN SPID. TREVI	
	224882321	YELLOW FRONT PAN. M5000-SPID.S/SCREEN			228991708	ANTHR/GREY DOOR M5000 S/SCR.SPID. TREVI	
	11006625	ANTHR/GREY FRONT PAN M5000-SPID.S/SCR.			228993353	DOOR M5000 M/BLACK S/SCR EDITION 2	
	11006626	GREY/7035 FRONT PAN M5000-SPID.S/SCRE.			228994900	DOOR M5000 GREY/7011 S/SC.TR.CHIARA	
	11012398	MEZZANOTTE FRON.PAN M5000-SPID.S/SCR.			228992141	DOOR M5000 SILVER S/SCR. SAECO TRE	
	11021379	MEZZANOTTE FRON.PAN M5000-SPID.S/SCR.			228992486	DOOR M5000 CHROM. S/SCR.SPIDEM EXC	
	224882341	SILVER FRONT PAN M5000-SPID.S/SCR.GREY			228991720	MARB/CREAM DOOR M5000 S/SCR.SPID.TREVI	
	224882348	SILVER FRONT PAN M5000-SPID.S/SC.BLACK			228991941	SILVER DOOR M5000 S/SCREEN SAECO	
44	0311.016.380	DOSE ADJUSTMENT KNOB M5000 METBLACK			11012399	MEZZAN. DOOR M5000 S/SCR.TREVI CHIARA	
	0311.016.620	DOSE ADJUSTM.KNOB M5000 GREY SPIDEM			11021725	MEZZANOTTE DOOR M5000 S/SCR.VIENNA PL	
	0311.016.740	DOSE ADJUSTMEN.KNOB M5000 UNPAINTED			11022213	SILVER DOOR M5000 S/SCR.VIENNA PL	
	0311.016.580	DOSE ADJUSTMENT KNOB M5000 SILVER			11005044	SAECO KLUBER TRIBOSTAR SIL 2 TUBE 5GR.	
45	142660259	GREY PHASE KEY COFFEE BREW UNIT MAGIC		58	147700200	LOADING PUMP DIAMETER 17 MM	
46	127390100	BRUSH FOR CLEANING		59			ONLY TREVI 120V
47	175895400	UPPER INSERT POLYST.BOX M5000-SPID					

**Saeco**  
INTERNATIONAL GROUP

VIENNA DLX & PL, SPIDEM TREVI

Rev. 12 - 02/09/09

TAVOLA 1B/5



**SUP018M** ALUM. BOILER 230V  
UP TO S/N. 9003SA40209422

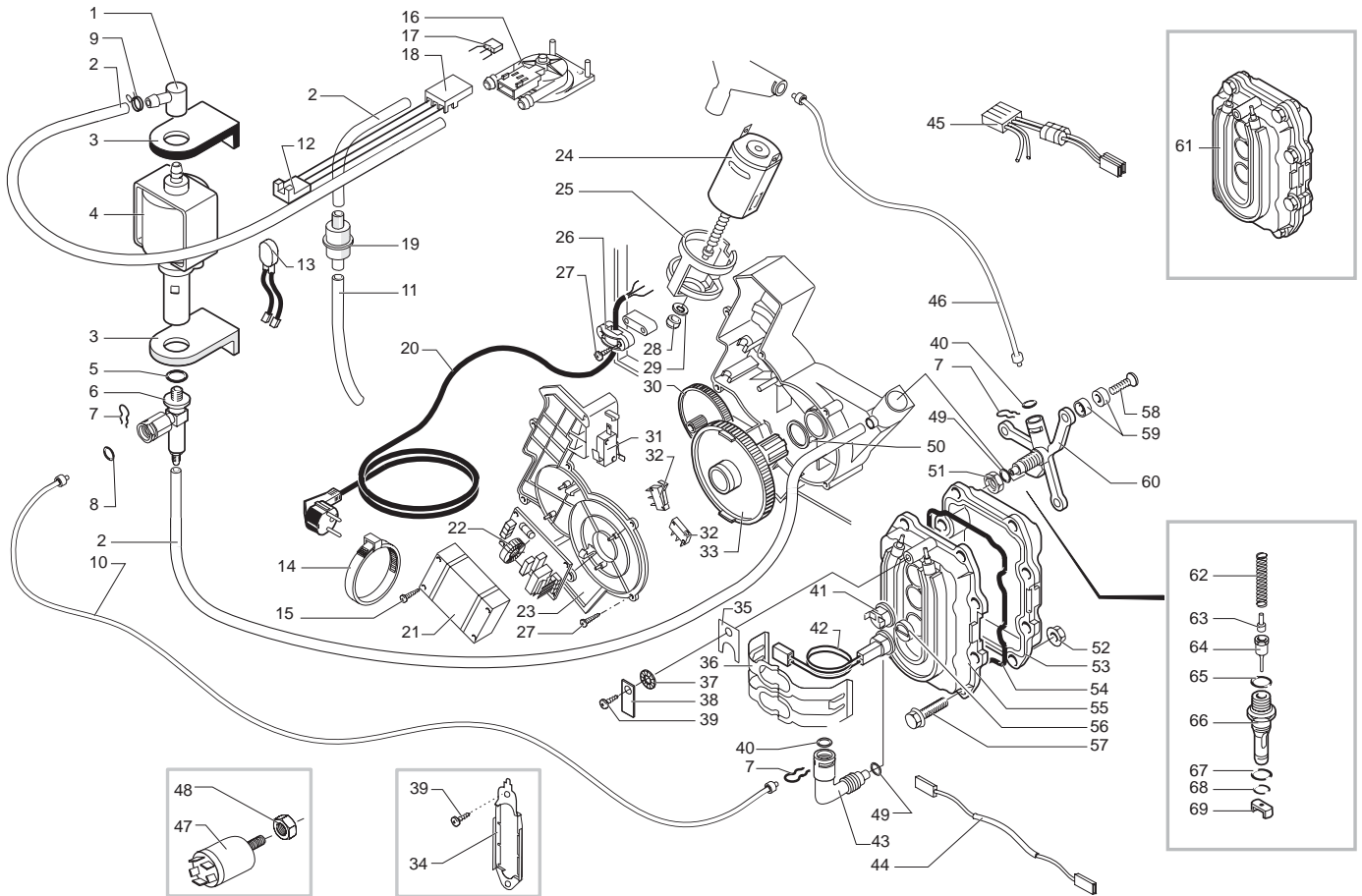


Cod. 741414-15-16-18-22-23-25-26-27-30-41-45-64-75-76  
Cod. 10002885-3174-3175-3176-3177-3178-3179-3220

POS	CODE	DESCRIPTION	NOTE	POS	CODE	DESCRIPTION	NOTE
01	147920150	90°CONNECTOR PUMP INLET		38	186400600	FLAT TABS 6,3 D=5,3 0010487200	
02	149360200	SILICONE TUBE 5X8 70SR	IN ROLL	39	129575403	SCREW TAPT M5X10 DIN 7500C NICK	
03	149185850	EATON PUMP SUPPORT MAGIC 4002012		40	140328059	OR 2015 IN SILICONE PTFE/FDA	
04	12000140	ULKA PUMP EP5/S GW	230V-50HZ	41	286472258	SENSOR KIT FOR CA M/S 5000 V2	230V
05	NE03.018	MOLVENO SWITCH DK1WC1E000000		42	189428200	THERMOSTAT 175° 1NT-08L-3794	
06	9071.075	BICONE IN PLASTIC FOR TUBE D.6		43	127914020	"BRASS 90 DEG FIT.1/8" GAS MASTER	
07	9071.071	RING NUT FOR TUBE RETAINING D.6		44		PARTICULAR NOT AVAILABLE	SEE PART. N°22
08	9071.097	CONNECTOR FOR TUBE D.4		45	227872000	CONNECTOR AS. TEFLON 2X4 L=440 MM	
09	NM02.028	OR 2015 EPDM FDA		46	140321462	OR 2018 IN SILICONE	
10	227872100	TEFLON TUBE 2X4 L=235 MM ASSY		47	9161.132	MYLAR WASHER FOR RATIONOMOTOR	
11	283542200	3 POLES CONNECTORS TURB.M5000 ASSY.		48	123390420	NUT 1/8 GAS H=4.5 CH=13 BRASS	
12	0311.807	YELLOW HARNESS KLIXON JP 13	230V	49	123270102	NUT M6 FLANGED TOOTHED BASE GALV	
13	9011.144	FORK FOR TUBE D.4		50		PARTICULAR NOT AVAILABLE	SEE PART. N°58
14	142851100	ANTIDISTURB FILTER COVER M5000		51	9011.129	BOILER SEAL	SEE PART. N°58
15	129660902	PANELVIT TCB SCREW 3,5X12 D.7505 Z		52		PARTICULAR NOT AVAILABLE	SEE PART. N°58
16	286473300	-M-VDE TURBINE WITH SENSOR KIT	WITH PART. N°17	53	11004424	ALUM.SPACER FOR PHILIPS SENSOR MAGIC	
17		PARTICULAR NOT AVAILABLE	SEE PART. N°16	54	U046.004	SCREW TEZF M6,0X26 GALV.	
18	9161.018	BRACKET FOR TURBINE		55	U044.017	SCREW TSPC M5,0X20 UNI 7688 GALV.	
19	144650300	SUCTION FILTER GAUZE NET 500 (NEW		56	9161.206	INSULATING SPACER FOR BOILER	
20	183910450	POWER CABLE SCHUKO BLACK L=1500		57	9011.126	ALU.BOILER SUPPORT BRASS	
	183930250	POW.CABLE CH BLACK H05+3FAST.L=1500		58	286472858	SPARES KIT AN/BOIL+SENS.CAB.M5000/F	(I) (P) (E) (ARG)
	183950150	P.CABLE ITALY BLACK .H05 + FAST.L=			286473058	SPARES KIT AN/BOIL+SENS.AS.M5000V2F	OTHER COUNTRY
	NE01.026	POWER CABLE SJT3C USA GREY 3F.L1500		59	9011.132	SPRING FOR PIN	
21	184651100	ANTIDISTURB FILTER 0,47X2+1000Y2+0,5L		60	11009013	TEA/BRASS PIN FOR PISTON L=10	
22	286891358	GEN.MOT. FOR RATIONOMOTOR M/S 5000 AS.	WITH PA. N°23-44	61	11009019	TEA/BRASS PISTON L=20,9 ASSY.	
23	9121.044	ANTIVIBRATION FOR MOTOR		62	140320462	OR METRICO 0080-20 IN SILICONE	
24	148600600	CABLE CLAMP V0 MAGIC ESP COMBI UL		63	9011.100	PEG FOR VALVE IN PLASTIC	
25	129670202	PANE. TCB SCREW 3,5X16 TESTA D=8 Z		64	NM01.035	OR ORM 0090-20 SILICONE	
26	123270202	NUT M8 LOW UNI 5589 -A-6S GALVANIZED		65	NM01.057	OR ORM 0050-20 SILICONE	
27	128310802	WASHER UNI 8842 A8 GALV.		66	9011.099	M CURSOR FOR BOILER VALVE IN PLASTIC	
28	9121.046	SINTERED BUSH FOR MOTOR		67	327002200	FUSE T6,3 AMP.5X20 RETARDED	
29	148380200	WASHER BAKELIZZATE D=5,5		68	183003662	1 STR+ SIL. CABLE BLUE 510 MM	
30	9121.042	GEAR Z.12/90		69	JS01.022	SILICONE TUBE 5X10 60 SHORE	IN ROLL
31	NE05.042	MICROSWITCH		70	140321961	OR 2031 IN TERMOIL	
32	NE05.038	MICROSWITCH		71	229451300	PUMP SAFETY VALVE D=8 ULKA PUMP	
33	9121.068.150	GEAR Z=108 FOR MOUNTING PLATE M5000		72	184320200	SPRING HOSE CLAMP D=9,5MM	
34	9161.200.920	TRANSPARENT LID FOR RATIONOMOT. M5000		73	126836517	STEEL SPRING RETAIN.3 THE.BOIL. M5	
35	126836402	PROBE LOCKING SPRING FOR BOIL. M50				FROM S/N. 994068661	
36	9011.142	THERMOSTAT RETAINING SPRING			289434800	GEN.TURB.AS.W/O FILTER UNIFIED M5000	
37	128310504	WASHER UNI 8842 A5 BURN.					
		UP TO S/N. 994068660					







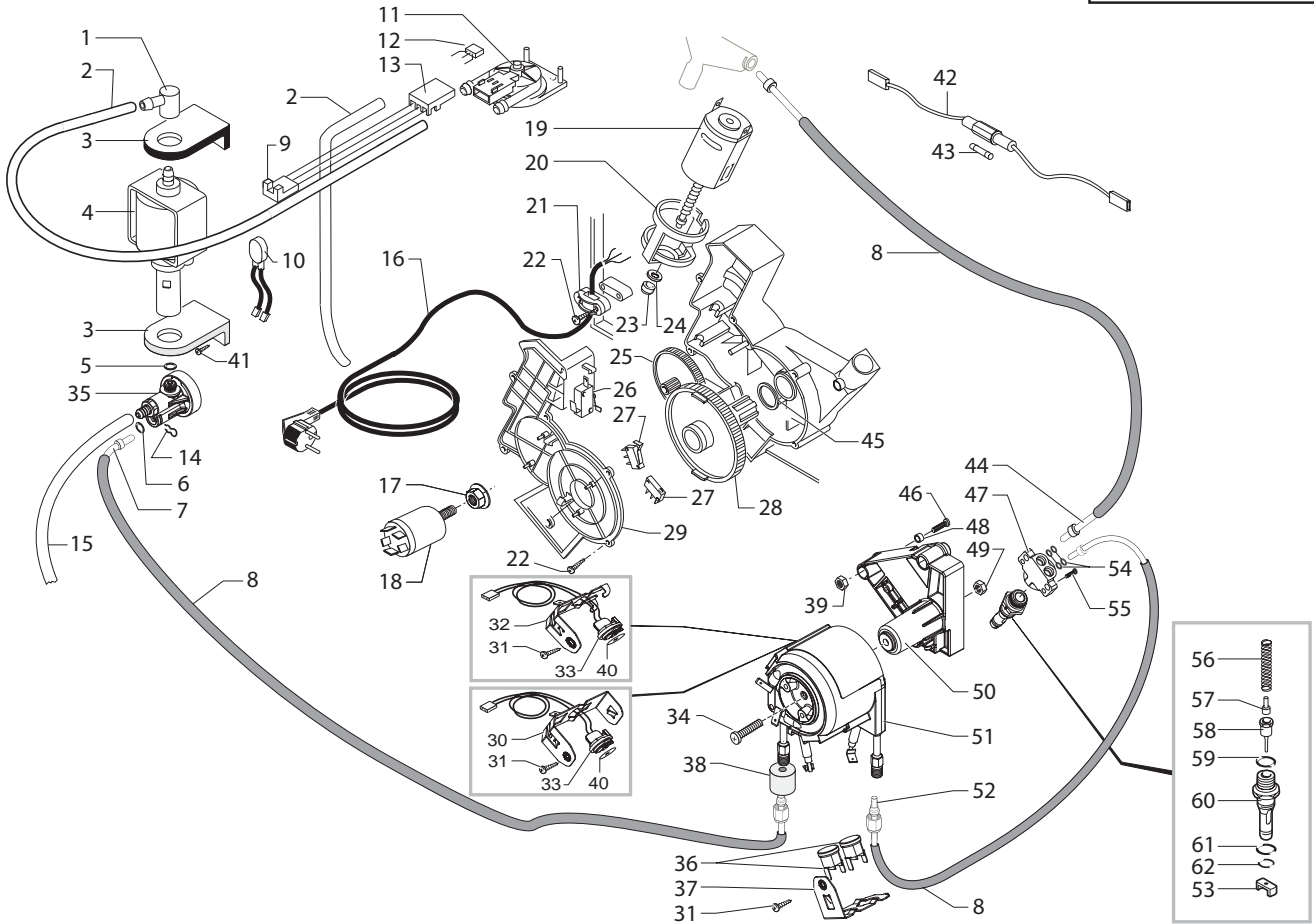
**SUP018M** ALUM. BOILER 100-1200V  
UP TO S/N. 9003SA40209422



Cod. 741414-15-16-18-22-23-25-26-27-30-41-45-64-75-76  
Cod. 10002885-3174-3175-3176-3177-3178-3179-3220

POS	CODE	DESCRIPTION	NOTE	POS	CODE	DESCRIPTION	NOTE
01	147920150	90°CONNECTOR PUMP INLET		40	140328059	OR 2015 IN SILICONE PTFE/FDA	
02	149360200	SILICONE TUBE 5X8 70SR	IN ROLL	41	189428200	THERMOSTAT 175° 1NT-08L-3794	
03	149185850	EATON PUMP SUPPORT MAGIC 4002012		42	286472255	SENSOR KIT FOR CA M/S 5000 V2 120V	
04	12000131	ULKA PUMP EP5/S	120V-60HZ	43	127914020	"BRASS 90 DEG FIT.1/8" GAS MASTER	
	12000130	ULKA PUMP EP5/S GW	100V-50/60HZ	44	183361062	CABLE 1 WIRE SIL.BLUE AWG18 + FUSE	
05	140321961	OR 2031 IN TERMOIL		45		PARTICULAR NOT AVAILABLE	SEE PART. N°24
06	229451300	PUMP SAFETY VALVE D=8 ULKA PUMP		46	227872000	CONNECTOR AS. TEFLON 2X4 L=440 MM	
07	9011.144	FORK FOR TUBE D.4		47	NE13.023	EICHHOFF FILTER 16A	
08	NM02.028	OR 2015 EPDM FDA		48	123453602	FLANGE NUT M8 TOOTHED BASE GALV.	
09	184320200	SPRING HOSE CLAMP D=9,5MM		49	140321462	OR 2018 IN SILICONE	
10	227872100	TEFLON TUBE 2X4 L=235 MM ASSY		50	9161.132	MYLAR WASHER FOR RATIOMOTOR	
11	JS01.022	SILICONE TUBE 5X10 60 SHORE	IN ROLL	51	123390420	NUT 1/8 GAS H=4.5 CH=13 BRASS	
12	283542200	3 POLES CONNECTORS TURB.M5000 ASSY.		52	123270102	NUT M6 FLANGED TOOTHED BASE GALV	
13	289201000	THERMAL. PROTECT 120°C CABLE.125/3		53		PARTICULAR NOT AVAILABLE	SEE PART. N°61
14	144320500	SELF LOCK STRIP L=290 MM		54	9011.129	BOILER SEAL	
15	129660902	PANELVIT TCB SCREW 3,5X12 D.7505 Z		55		PARTICULAR NOT AVAILABLE	SEE PART. N°61
16	286473300	-M-VDE TURBINE WITH SENSOR KIT	WITH PART. N°17	56	11004424	ALUM.SPACER FOR PHILIPS SENSOR MAGIC	
17		PARTICULAR NOT AVAILABLE	SEE PART. N°16	57	U046.004	SCREW TEFZ M6,0X26 GALV.	
18	9161.018	BRACKET FOR TURBINE		58	U044.017	SCREW TSPC M5,0X20 UNI 7688 GALV.	
19	144650300	SUCTION FILTER GAUZE NET 500 (NEW		59	9161.206	INSULATING SPACER FOR BOILER	
20	183910450	POWER CABLE SCHUKO BLACK L=1500		60	9011.126	ALU.BOILER SUPPORT BRASS	
	183921360	PO.CAB.SJT3C 16AWG USA GREY.5F.L=1700		61	286473055	SPARES KIT AN/BOIL+SENS.AS.M5000V2F	120V
21	142844459	GREY COVER FILTER EL.CARD MAGIC			286472854	SPARES KIT AN/BOIL+SENS.CAB.M5000/F	100V
22	181563155	ELECTR.BOARD 120V FILTERING MAGIC		62	9011.132	SPRING FOR PIN	
23	9161.200.920	TRANSPARENT LID FOR RATIOMOT. M5000		63	11009013	TEA/BRASS PIN FOR PISTON L=10	
24	286891355	GEN.MOT.FOR RATIOMOTOR M/S5000 UL AS.	WITH PA. N°25-45	64	11009019	TEA/BRASS PISTON L=20,9 ASSY.	
25	9121.044	ANTIVIBRATION FOR MOTOR		65	140320462	OR METRICO 0080-20 IN SILICONE	
26	148600600	CABLE CLAMP V0 MAGIC ESP COMBI UL		66	9011.100	PEG FOR VALVE IN PLASTIC	
27	129670202	PANE. TCB SCREW 3,5X16 TESTA D=8 Z		67	NM01.035	OR ORM 0090-20 SILICONE	
28	9121.046	SINTERED BUSH FOR MOTOR		68	NM01.057	OR ORM 0050-20 SILICONE	
29	148380200	WASHER BAKELIZZATE D=5,5		69	9011.099	M CURSOR FOR BOILER VALVE IN PLASTIC	
30	9121.042	GEAR Z.12/90			289434800	GEN.TURB.AS.W/O FILTER UNIFIED M5000	
31	NE05.042	MICROSWITCH					
32	NE05.038	MICROSWITCH					
33	9121.068.150	GEAR Z=108 FOR MOUNTING PLATE M5000					
34	126836517	STEEL SPRING RETAIN.3 THE.BOIL. M5					
35	126836402	PROBE LOCKING SPRING FOR BOIL. M50					
36	9011.142	THERMOSTAT RETAINING SPRING					
37	128310504	WASHER UNI 8842 A5 BURN.					
38	186400600	FLAT TABS 6,3 D=5,3 0010487200					
39	129575403	SCREW TAPT M5X10 DIN 7500C NICK					





**SUP018M**

ALUM. BOILER WITH RESIST.  
FROM S/N. 9003SA40209423

Cod. 741414-15-16-18-22-23-25-26-27-30-41-45-64-75-76  
Cod. 10002885-3174-3175-3176-3177-3178-3179-3220

POS	CODE	DESCRIPTION	NOTE
01	147920150	90°CONNECTOR PUMP INLET	
02	149360200	SILICONE TUBE 5X8 70SR	IN ROLL
03	149185850	EATON PUMP SUPPORT MAGIC 4002012	
04	12000140	ULKA PUMP EP5/S GW	230V-50HZ
	12000131	ULKA PUMP EP5/S	120V-60HZ
	12000130	ULKA PUMP EP5/S GW	100V-50/60HZ
05	140321961	OR 2031 IN TERMOIL	
06	149361200	NM02.028	
07	227874900	CONNECTOR AS.TEFLON 2X4 L=250 MM	
08	149361200	BLACK SILICON TUBE 7.5X9.3	IN ROLL
09	283542200	3 POLES CONNECTORS TURB.M5000 ASSY.	
10	0311.807	YELLOW HARNESS KLIXON JP 13	230V
	289201000	THERMAL. PROTECT 120°C CABLE.125/3	100-120V
11	286473300	-M-VDE TURBINE WITH SENSOR KIT	WITH PART. N°12
12		PARTICULAR NOT AVAILABLE	SEE PART. N°11
13	9161.018	BRACKET FOR TURBINE	
14	9011.144	FORK FOR TUBE D.4	
15	JS01.022	SILICONE TUBE 5X10 60 SHORE	IN ROLL
16	183910450	POWER CABLE SCHUKO BLACK L=1500	
	183930250	POW.CABLE CH BLACK H05+3FAST.L=1500	
	183950150	P.CABLE ITALY BLACK. H05 + FAST.L=	
	183922060	POWER CABLE SJT3C USA GREY 5F.L1590	
	183940250	BLACK POW. CABLE AUSTR.H05+FAST.L=1500	
	NE01.026	POWER CABLE SJT3C USA GREY 3F.L1500	
	183980550	POWER CABLE JAPPON VCTF BLACK L=1590	
	183990950	BLACK POWER CABLE RVV 3X1 CHINA L=1590	
	11002892	GREY POWER CABLE TAIWAN HVCTF L=1440	
	11003361	GREY POWER CABLE BRAZIL 5F.L=1590	
	11000706	POWER CABLE SJT3C USA BLACK 5F.L=1590	
17	123453602	FLANGE NUT M8 TOOTHED BASE GALV.	
18	184651100	ANTIDISTURB FILTER 0,47X2+1000Y2+0,5L	230V
	184651500	ANTIDISTURB FILTER 16A FNC 1610474472A	120V
	12001353	LOCKING SCREW ANTIDISTURB FILTER 16A	
19	11003037	MOTOR FOR RATIOMOTOR ASSY.	
20	9121.044	ANTIVIBRATION FOR MOTOR	
21	148600600	CABLE CLAMP V0 MAGIC ESP COMBI UL	
22	129670202	PANE. TCB SCREW 3,5X16 TESTA D=8 Z	
23	9121.046	SINTERED BUSH FOR MOTOR	
24	148380200	WASHER BAKELIZZATE D=5,5	
25	9121.042	GEAR Z.12/90	
26	NE05.042	MICROSWITCH	
27	NE05.038	MICROSWITCH	
28	9121.068.150	GEAR Z=108 FOR MOUNTING PLATE M5000	
29	9161.200.920	TRANSPARENT LID FOR RATIOMOTOR M5000	
30	126838017	SENSOR FIXING SPRING	
		<b>UP TO S/N. 9004SA40074124</b>	
31	129573202	SCREW TAPT M4X8 UNI 8112	
32	126838217	SENSOR FIXING SPRING	
		<b>FROM S/N. 9004SA40074125</b>	
33	288582300	SENSOR ELEC.BOARD WITH CONNECTOR AS.	

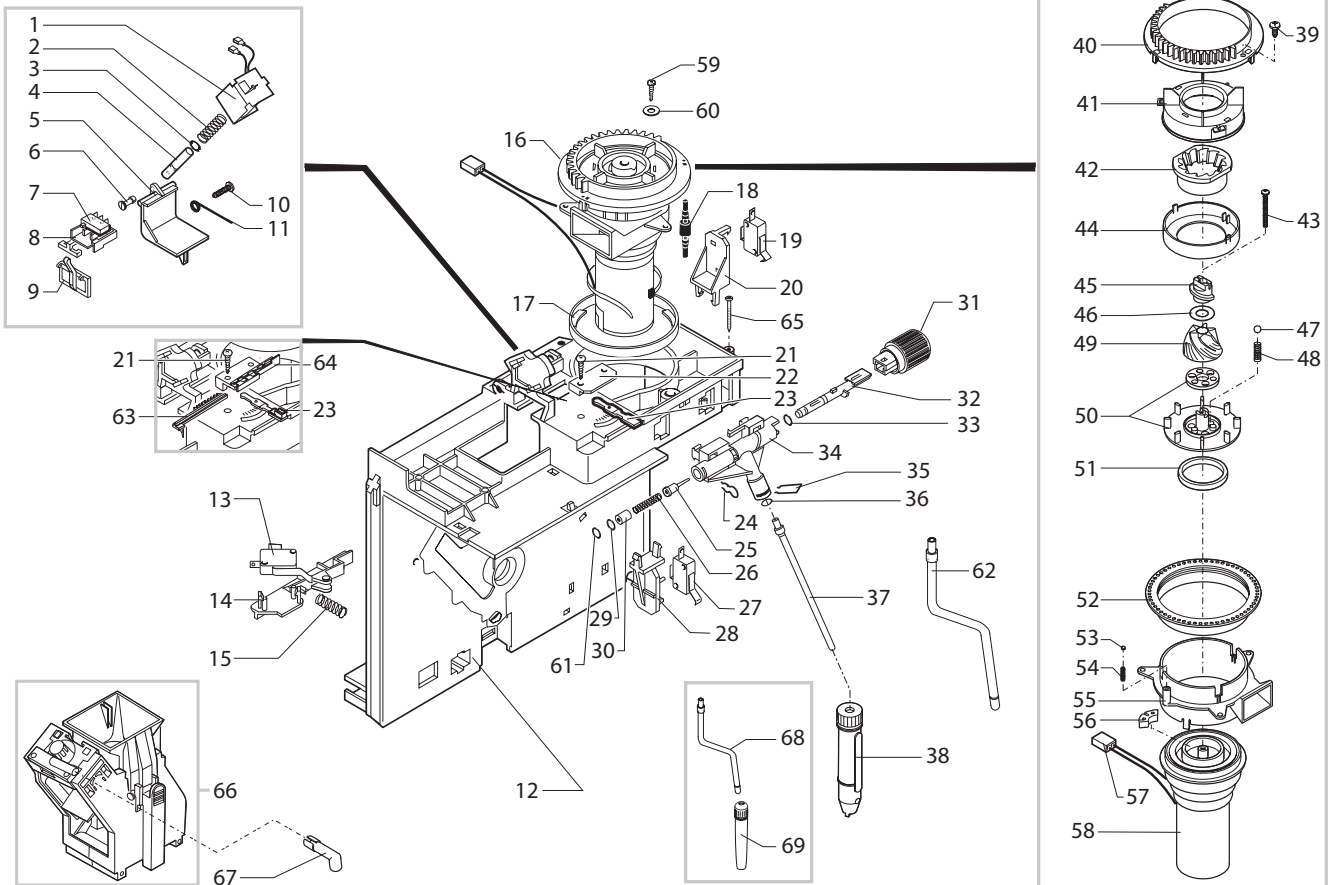
POS	CODE	DESCRIPTION	NOTE
34	129932202	ROUND HEAD SCREW 10.9 M5X20 GALV	
		<b>UP TO S/N. 9008SR40104168</b>	
		GALVANIZDE SELF DRILLING SCREW 5X30	
		<b>FROM S/N. 9008SR40104169</b>	
35	229452100	COMPENSAT. AND SAFETY VALVE 16BAR AS.	
36	189428200	THERMOSTAT 175° 1NT-08L-3794	
	189428600	THERMOSTAT 175° 1NT-08L-5125	
37	126838117	2 THERMOSTATS FIXING SPRING	PLUS
38	147756562	PROTECTION FOR FOLK SPRING TUBE D=4	
39	U310.003	NUT SELF LOCK.M5 UNI 7473	
		<b>UP TO S/N. 9005SA90278596</b>	
40	145951600	ELECTRIC INSULATING DISK D=16	
41	129517302	SCREW TCB3,9X9,5 DIN 7981 GALV	
42	183003662	1 STR+ SIL. CABLE BLUE 510 MM	
	183361062	CABLE 1 WIRE SIL.BLUE AWG18 + FUSE	230V
43	327002200	FUSE T6,3 AMP.5X20 RETARDED	120V
	184950200	FUSE T15 AMP.DELAYED	120V
44	11002649	CONNECTOR AS.TEFLON 2X4 L=480 MM	
45	9161.132	MYLAR WASHER FOR RATIOMOTOR	
46	U044.020	SCREW TSP M5,0X30 UNI 7688 GALV.	
		<b>UP TO S/N. 9005SA90278596</b>	
		GALVANIZDE SELF DRILLING SCREW 5X30	
		<b>FROM S/N. 9005SA90278597</b>	
47	147922700	BOILER SUPPORT CONNECTOR	
48	9161.206	INSULATING SPACER FOR BOILER	
49	123453902	SELF-LOCKI.NUT M5X0,8 DIN 980 CLA.8	
		<b>UP TO S/N. 9008SR40104168</b>	
50	20000203	SPARES KIT SUPPORT BOILER M5000	
		<b>UP TO S/N. 9005SA90278596</b>	
		SUPPORT FOR ALLUMINIUM BOILER	
		<b>FR. S/N. 9005SA90278597 UP TO S/N. 9008SR40104168</b>	
		V2 SUPPORT FOR ALUM.BOILER TYPE M5000	
		<b>FROM S/N. 9008SR40104169</b>	
51	282058858	ALUM.BOILER WITH RESISTANCE	230V-1100W
	282058854	ALUM.BOILER WITH RESISTANCE	120V-275W
	227876800	CONNECTOR AS.TEFLON 2X4 L=235 MM	100V-1100W
52	9011.099	M CURSOR FOR BOILER VALVE IN PLASTIC	
53	140328059	OR 2015 IN SILICONE PTFE/FDA	
54	129910103	HI -LO TC SCREW 3,5X15 RIF.910189	
55	9011.132	SPRING FOR PIN	
56	11009013	TEA/BRASS PIN FOR PISTON L=10	
57	11009019	TEA/BRASS PISTON L=20,9 ASSY.	
58	140320459	OR METRICO 0080-20 SILICON.PTFE/FDA	
59	9011.100	PEG FOR VALVE IN PLASTIC	
60	NM01.035	OR ORM 0090-20 SILICONE	
61	NM01.057	OR ORM 0050-20 SILICONE	
62			
	282132858	ALUM.BOILER 230V AS.WITH RESISTANCE	
	282132855	ALUM.BOILER 120V AS.WITH RESISTANCE	
	282132854	ALUM.BOILER 100V AS.WITH RESISTANCE	



VIENNA DLX & PL, SPIDEM TREVÌ

Rev. 05 - 02/09/09

TAVOLA 4/5



**Saeco** SUP018M  
INTERNATIONAL GROUP



Cod. 741414-15-16-18-22-23-25-26-27-30-41-45-64-75-76  
Cod. 10002885-3174-3175-3176-3177-3178-3179-3220

POS	CODE	DESCRIPTION	NOTE	POS	CODE	DESCRIPTION	NOTE
01	9129.A23.00A	WHOLE COIL M5000/S5000	230V	37	11001591	ST.STEEL STEAM TUBE L=137,66 S5000 ASSY.	
02	283770755	V2 COFFEE DOSER COIL ASS.	120V	38	147430150	PANNARELLO AS. BLACK PLASTIC	
03	126764818	SPRING ELECTROM.BEAN DOSER MAGIC			147430161	PANNARELLO AS. GREY /SPIDEM PLASTI	
04	U701.003	SNAP RING 7 UNI 7434			227430600	PANNAR.ASS.INT.PLASTIC EXT.CHROM.	
05	9161.041	DOSER ELECTROMAGNET CORE		39	129511803	SCREW TCB 2,9X6,4 DIN 7981 NICK	
06	9161.074.150	DOSER DOOR GREY		40	148650250	SECTOR GEARGRIND ADJUSTM. KNOB COMBI	
07	9161.076.150	DOSER DOOR PIN GREY		41	149186150	BLACK UPPER GRINDER SUPPORT MAGIC	
08	NE05.017	MICROSWITCH		42		PARTICULAR NOT AVAILABLE	SEE PART. N°49
09	149185959	BEAN DOSER MICRO SUPORT MAGIC		43	129931002	TORX SCREW T10 TCB 3,5X40 SX ZNG	
10	148700559	COFFEE DOSER DOSE ADJ. SEL. GR MAG		44	142844550	UPPER GRINDER COVER COFF. GRIND. MAGIC	
11	129913902	SCREW TCB TORX 10 3X12 PLAST.ZN-B		45	147470763	INCREASE SCREW PIN COFF. GRINDER MAGIC	
12	9161.048	SCRAPER ROD		46	U201.002	PLAIN WASHER 10X16X0,2DIN 988 GAL	
13	9161.249.150	MOUNTING PLATE ASSEMBL.GREY		47	128610521	STAIL.STEEL AISI 304 SPHERE D=5,5MM	
14	11009326	GREY/7016 MOUNTING PLATE M5000 UL ASSY.	120V	48	126765517	STEEL SPRING SPHERE D=5,5 MOTOR MAGIC	
15	186724000	MICROSWITCH SAIA X3M502K8MCM92AU		49	226473500	KIT TECNA GRINDERS	WITH PART. N°42
16	9161.202.150	COMPENSATOR FOR GROUNDS MICRO		50	149188750	CONICAL GRIND. SUPP. + RING MAGIC	
17	9161.221	SPRING GROUND.MICROSUPP.COMPENSA		51	140360200	FELT RING 40X34X5	
18	286882458	GENER.MOT.AS. M5000 (ITALY/V2)	230V	52	146570950	RING NUT FOR GRINDING ADJUSTM. MAGIC	
19	286883758	GENER.MOTOR AS. M5000 (STD/V2)	230V	53	128610421	STAIL.STEEL AISI 304 SPHERE D=3,2MM	
20	286883755	GENER.MOTOR AS. M5000 (STD/V2)	120V	54	126770117	NEW SPRING SPHERE D=3.2 MOTOR MAGIC	
21	286883754	GENER.MOTOR AS. M5000 (STD/V2)	100V	55	140230400	SHOCK ABS .CONICAL GRINDER SUPP.MAGIC	
22	9141.052	COFFEEGRINDER REINFORCING RING		56	149186350	GRINDER MOTOR SUP.BLACK MAGIC	
23	9991.103	ANTI VIBRATION FOR COFFEEGRINDER		57	283544900	2POLES CONN.AS.COF.GRIN.JP1 33MH CA	230V
24	NE05.043	MICROSWITCH			283542600	2 P.CONN.AS. COFF.GRINDUP1 CA	120V
25	9161.207.150	SUPPORT FOR FAUCET MICRO		58	286851858	MOTOR AS. NEW MAGIC DE LUXE	230V
26	129660902	PANELVIT TCB SCREW 3,5X12 D.7505 Z			286851855	MOTOR AS. NEW MAGIC DE LUXE	120V
27	147571059	GREY LEVER FIX.PLATE W/O DOSE ADJUSTM.			286851854	MOTOR AS. NEW MAGIC DE LUXE	100V
28	9161.122.150	DOSE ADJUSTMENT LEVER GREY CLASSIC		59	129670202	PANE. TCB SCREW 3,5X16 TESTA D=8 Z	
29	9011.144	FORK FOR TUBE D.4		60	U207.004	PLAIN WASHER 4,3X16 UNI 6592 GAL	
30	11009019	TEA/BRASS PISTON L=20,9 ASSY.		61	140328161	OR D=3,85 X 1,90 IN EPDM	
31	126765317	STEEL SPRING BOIL. PISTON MAG.9011		62	229380908	CHROMED STEAM TUBE AS.L=125,88 S5000	
32	186723600	MICROSWITCH SAIA X3M502K2KAM92AS		63	148740450	TOOTHED SLIDE FOR DOSE ADJUST GEAR	
33	9161.208.150	SUPPORT FOR DOOR MICRO		64	147571850	BLACK LEVER FIXING PLATE + DOSE ADJUST.	
34	140328059	OR 2015 IN SILICONE PTFE/FDA		65	129661502	SCREW PANELVIT TCB 3X38 DIN 7505 ZN	
35	11009011	TEA/BRASS BUSH FOR FAUCET		66	11004181	BLACK BREW UNIT NEW M5000	
36	227720753	METAL/BLACK STEAM KNOB M5000-SPID. S/SC				<b>SEE EXPL. COD. E90050</b>	
37	227720761	SPIDEM/GREY STEAM KNOB M5000-SPID. S/SC				<b>NOTE: FOR SINGLE PAR. OF THE OLD GROUP</b>	
38	11012339	MEZZANOTTE STEAM KNOB M5000-SPID. S/SC				<b>COFFEE' GREY</b>	
39	11022212	SILVER STEAM KNOB M5000-SPID.S/SCREEN				<b>SEE EXPL.COD.E90023 (MOD. WITHOUT HOLE)</b>	
40	9161.205	STEAM TAP SHAFT				<b>SEE EXPL.COD.E90026 (MOD. WITH HOLE)</b>	
41	140328561	OR D=4,18 X 1,90 IN TERMOIL		67	11006983	BLACK SLEEVE FOR DISPENSER M5000	
42	9161.204.G	STEAM FAUCET		68	11001601	ST.STEEL STEAM TUBE AS.L=104,88 M5000	
43	126764018	SPRING D=1STEAM TUBE HOLDER JUN.		69	227431250	BLACK/BLACK PANNARELLO PLASTIC ASSY.	
44	140324461	OR METRIC 0060-20 IN TERMOIL					

**Saeco**  
INTERNATIONAL GROUP

VIENNA DLX & PL, SPIDEM TREVÌ

Rev. 12 - 02/09/09

TAVOLA 5/5