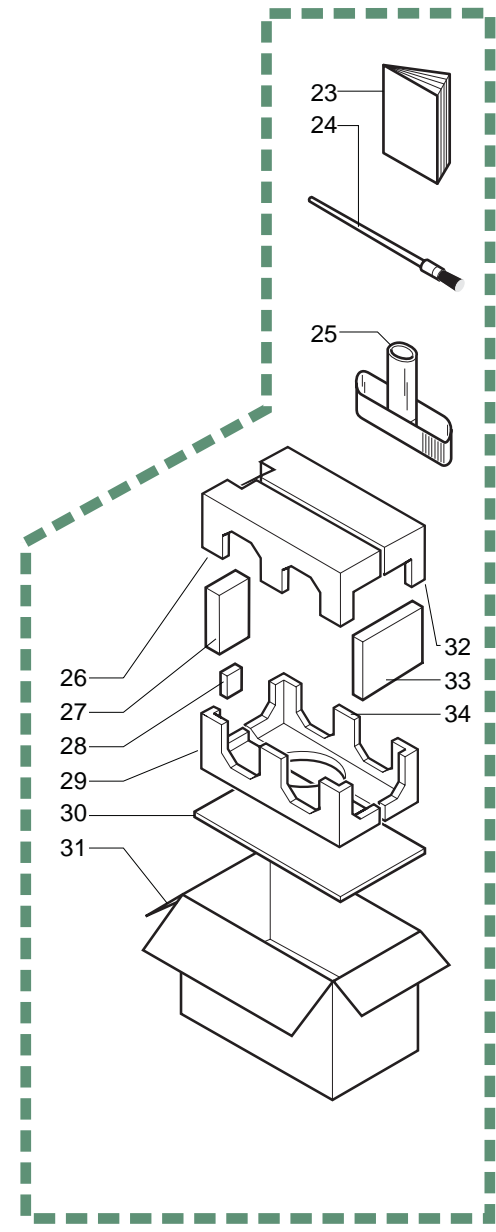
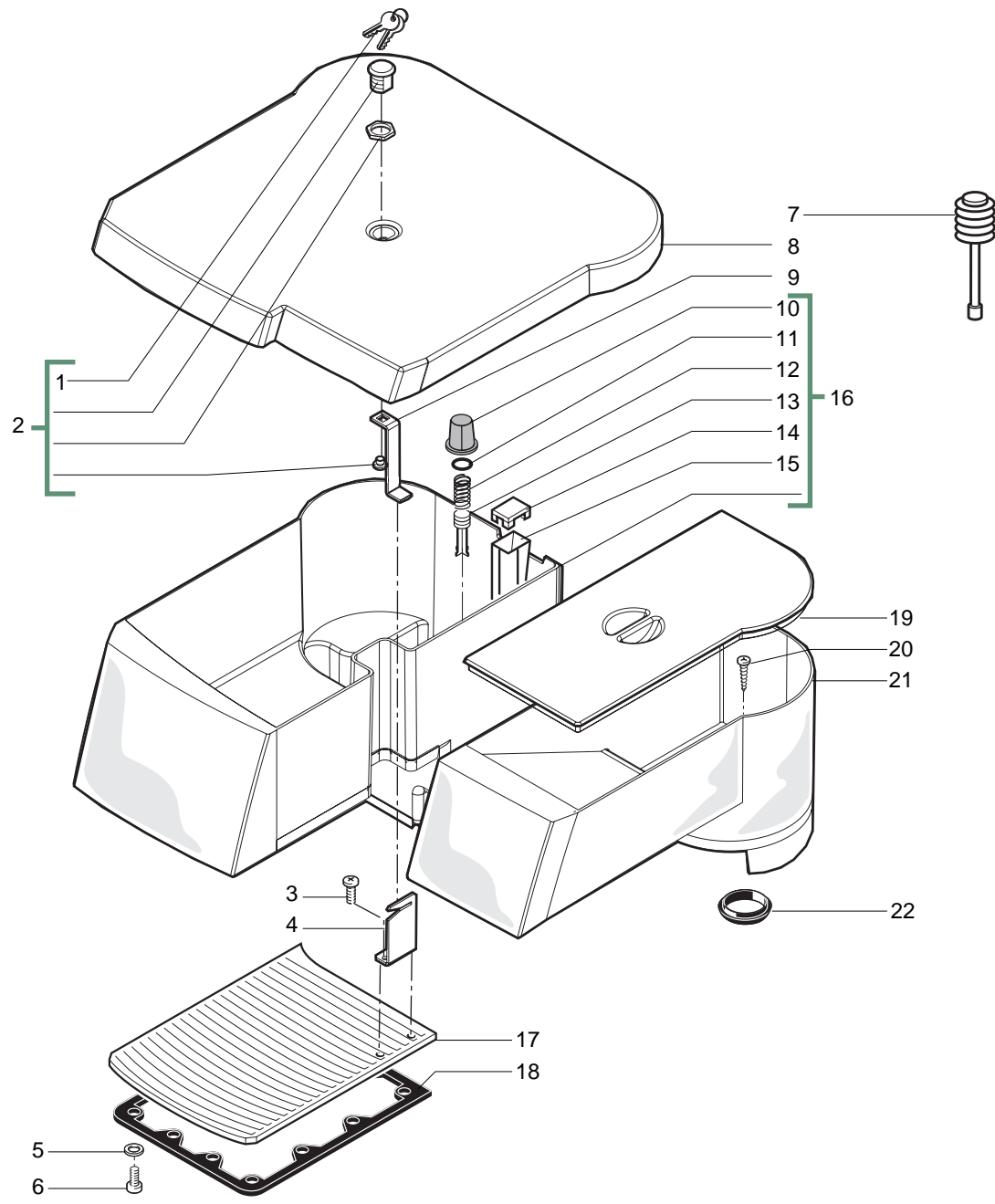
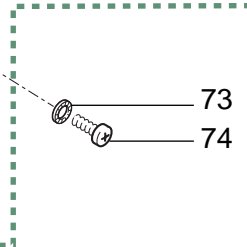
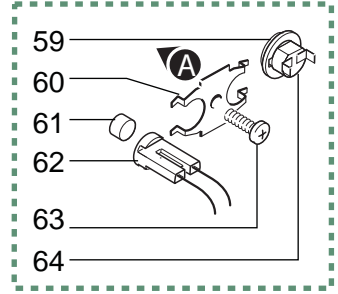
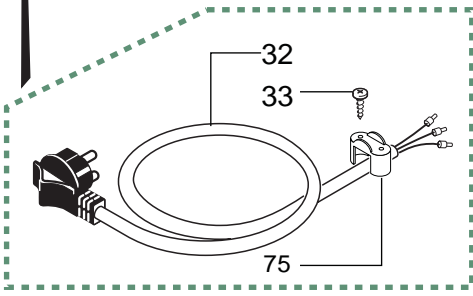
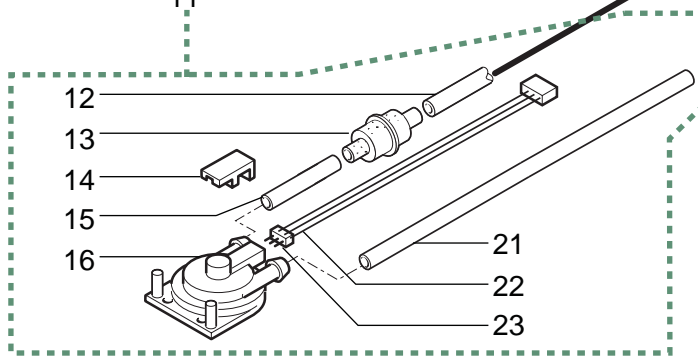
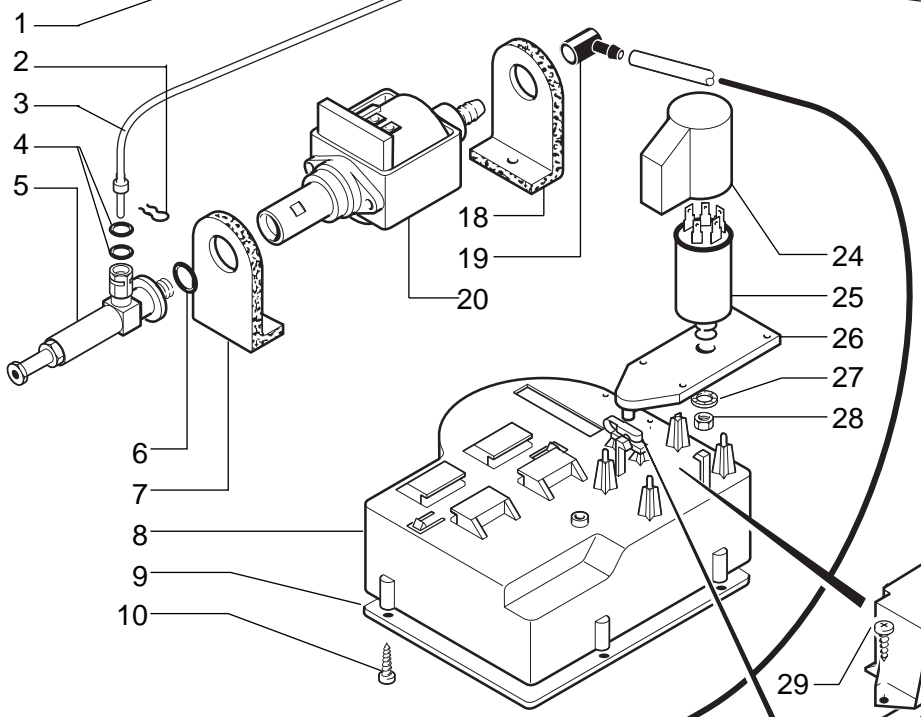
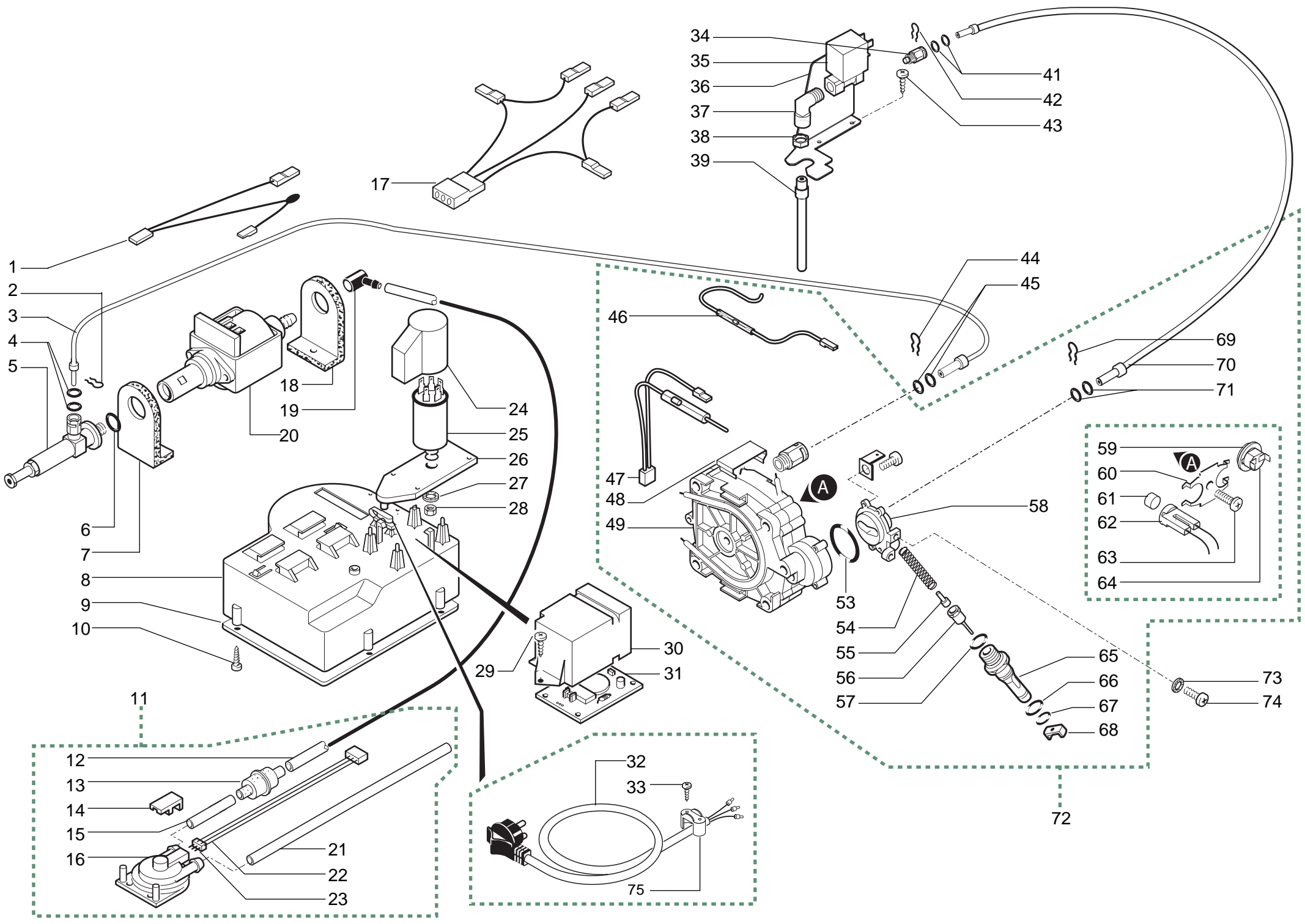


Pos	Article-Nr.	Description	Pos	Article-Nr.	Description
1	9972.027	SILICONE TUBE BROWN 5X8 L. 85			
2	0327.012.680	CONNECTOR 90° DISPENSER GREY RA			
3	0327.010.050	FIXED CASING DISPENSER BLACK			
4	0327.037	SPRING FOR DISPENSER			
5	0301.052	SEAL FOR DISPENSER SCREW			
6	0301.050	SCREW M3 FOR DISPENSER			
7	0333.050.760	MOBILE DISPENSER ASS.			
8	0333.A03.760	DISPENSER ASS. OFFICE			
9	0301.033.150	TANK CASING GREY			
10	U143.003	PANELVIT TCB 3,5X16 TESTA D.8 G			
11	0312.009.850	DISPENSER LID			
12	0333.005.770	PAINTED GRATE			
13	0333.006.850	DRIP TRAY			
14	145500211	RED FLOAT FOR SEB GRAN CAFFE'			
15	U143.015	PANELVIT TCB 3,0X12 TORX BLACK			
16	0333.026.850	CONNECTOR LID			
17	U110.001	screw AUT.TCB 2,9X6,5 DIN 7981			
18	0333.025	CONNECTOR SUPPORT			
19	0333.044.280	CAP			
20	0333.047.770	CASING LID ROYAL SILVER S/S.OFFI			
20	0333.062.770	LID UL SAECO ROYAL OFFICE SILVER			
21	0333.043.280	CLOSURE RUBBER			
22	0333.951	OVAL DATA PLATE ROYAL			
23	0333.022.850	CAP FOR FAUCET HOLE			
24	0333.021.280	RUBBER FOR STEAM TUBE HOLE			
25	0333.023.840	CASING ASS. GROUNDS REMOVAL OFF			
26	0313.006.050	SWITCH COVER BLACK			
27	U110.005	screw AUT.TCB 3,9X9,5 DIN 7981			
28	0312.030.850	DUMP BOX BLUE			
29	NV01.001	ADHESIVE FOOT			
30	0701.031.150	SEAL COVER GREY			
31	NM05.013	SEAL GACO DIM 14 MIELE			
32	0701.014.150	SEAL CONTAINER GREY			
33	U111.004	screw AUT.TSP 2,9X9,5 DIN 7982			
34	NM02.004	OR ORM 0080-20 TERMOIL			
35	U143.007	screw TORX TCB 2,9X19 SS			
36	0312.031.770	DOSER LID UL SILVER			
36	0312.008.770	DOSER LID			
37	U110.005	screw AUT.TCB 3,9X9,5 DIN 7981			
38	NE03.028	SWITCH B1031C1181000W			
39	NE03.034	SWITC B111C11210050W ASSY			
40	0301.019	PEG FOR DOOR SUPERAUTOM.			
41	9161.140	SEAL FOR UNIT PLATE			
43	NV02.001	DOOR LOCK WITH 2 KA/33			
44	0333.037	LOCK BRACKET			
44	0333.037.840	LOCK BRACKET			
45	0333.036.840	DOOR ASS. ROYAL OFFICE BLUE			
46	0301.020	PIN FOR DOOR SUPERAUTOMATICA			
47	0301.041.150	UNIT SUPPORT PLATE GREY			



Pos	Article-Nr.	Description	Pos	Article-Nr.	Description
2	NV02.001	DOOR LOCK WITH 2 KA/33			
3	U127.003	screw TAPT.TCB M4,0X6 DIN 750			
4	0333.016	BRACKET COUPLING SUPPORT			
5	U201.005	PLAIN WASHER 4,3X12 DIN 7349			
6	U127.010	screw TAPT.TCB M4,0X10 DIN 750			
7	147700200	LOADING PUMP DIAMETER 17 MM			
8	0333.003.770	MAIN LID			
9	0333.015	COUPLING BRACKET			
10	224640200	EXTERNAL FILTER FOR WATER CONTAI			
11	NM01.032	OR ORM 0060-30 SILICONE BLACK			
12	9161.110	SPRING FOR PISTON FOR SUPERAUTOM			
13	9111.027.150	GREY PISTON FOR WATER CONTAINER			
14	9161.050.230	NAT/TRANSP.CAP FOR FLOATING SPAC			
15	9161.112.150	LEVEL FLOAT GREY			
16	0333.A12.230	TRANSPAR.WATER TANK ASS.ROYAL OF			
16	0333.046.230	WATER TANK ASS.			
17	0333.051.050	CUP WARMER PLATE OFFICE BLACK			
18	0312.014	CUPWARMER SEAL			
19	0333.004.050	COFFEE CONT.LID			
20	U143.003	PANELVIT TCB 3,5X16 TESTA D.8 G			
21	0333.002.230	COFFEE CONTAINER			
21	0333.066.230	TRANSPARENT COFFEE CONTAINER UL			
22	9161.270	SEAL FOR COFFEE CONTAINER			
23	0333.952	INSTR.BOOKLET OFFICE I			
23	0333.953	INSTR.BOOKLET OFFICE D			
23	0333.955	INSTR.BOOKLET OFFICE F			
23	0333.964	INSTR.BOOKLET OFFICE GB			
23	0333.965	INSTR.BOOKLET OFFICE I			
23	0333.967	INSTR.BOOKLET OFFICE I			
23	0333.968	INSTR.BOOKLET OFFICE P			
24	9991.068				
25	9161.021.150	KEY FOR BREW UNIT GREY			
26	0333.903	LEFT UPPER INSERT IN PS			
27	0333.908	DRIP TRAY BOX			
28	0333.905	SPACER			
29	0333.901	LEFT LOWER INSERT IN PS			
30	0333.909	ONDULATED CARDB.SHEET			
31	0333.906	EXTERNAL BOX			
32	0333.904	RIGHT UPPER INSERT IN PS			
33	0333.907	BOX MAIN LID			
34	0333.902	RIGHT LOWER INSERT IN PS			

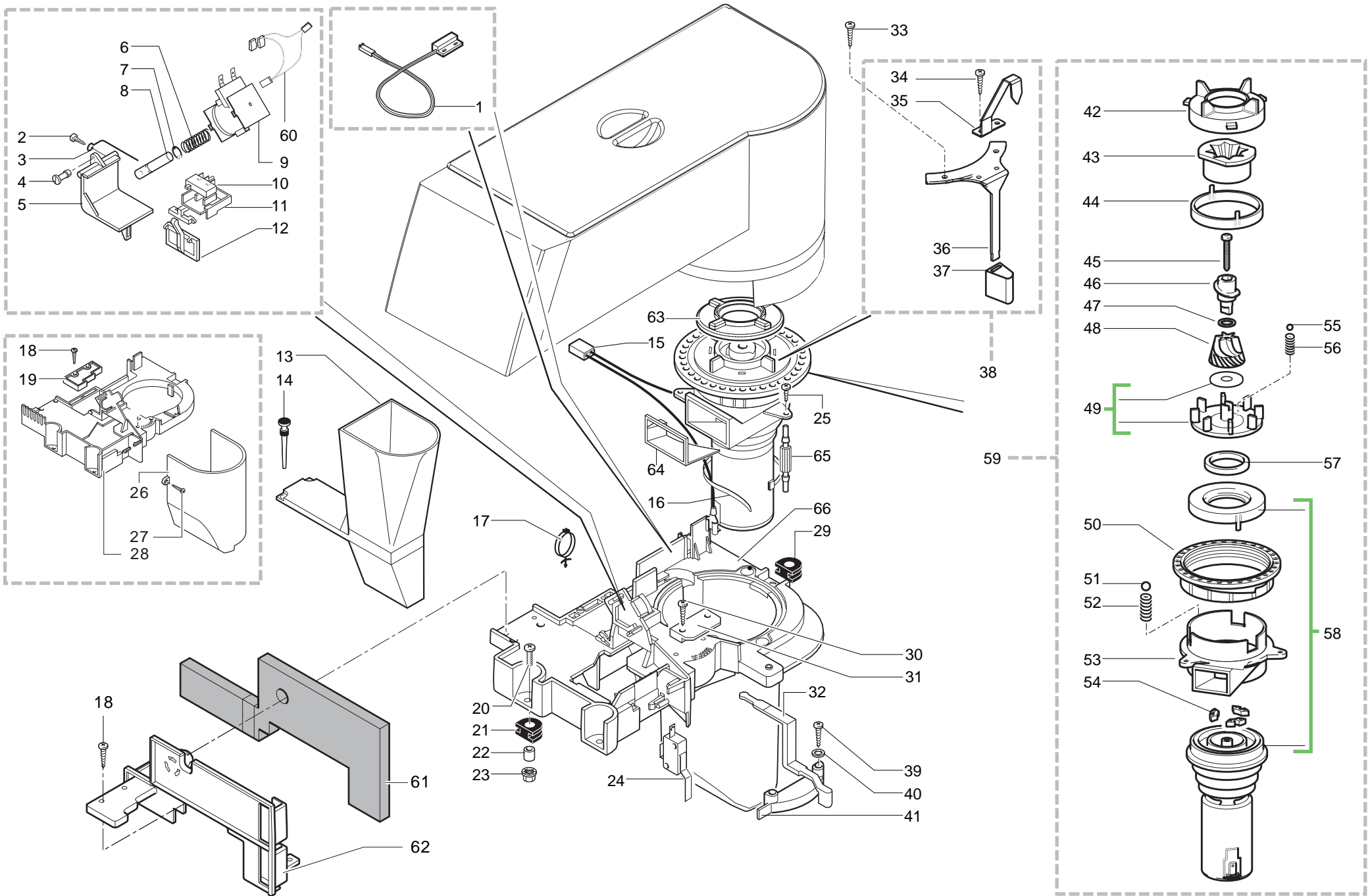


Pos	Article-Nr.	Description	Pos	Article-Nr.	Description
1	0315.802	HARNESS WITH PUMP KLIXON	40	0333.A04.00R	WATER DISPENSING VALVE ASS. 100V
1	0335.801	HARNESS WITH PUMP KLIXON UL	41	NM02.028	OR 2015 EPDM FDA
2	9011.144	FORK FOR TUBE D.4	42	9011.144	FORK FOR TUBE D.4
3	9979.A38	TEFLON TUBE ASS. 4X2 L.150 7-7	43	U110.003	screw AUT.TCB 3,5X9,5 DIN 7981
4	NM02.028	OR 2015 EPDM FDA	44	9011.144	FORK FOR TUBE D.4
5	9079.A27	SAFETY VALVE ASS.FAST/LOCK UNIV	45	NM02.028	OR 2015 EPDM FDA
6	NM02.020	OR 2031 TERMOIL	46	0334.817	CABLE 1WIRE SIL.WHYTE AWG16 TH/F
7	9991.056	SUPPORT FOR PUMP	46	0314.810	CABLE 1 WIRE SILIC.WHYTE TH/FUSE
8	0335.008.150	POWER SUPPLY CABLE GREY UL	47	0333.805	CONNECTOR 2 POLES RESIST.2 OFFIC
8	0301.056.150	POWER CABLE CONT. VDE GREY	47	0333.819	CONNECTOR 2POLES RESIST.2 OFFICE
9	0301.055.150	LID FOR POWER CABLE CONT. GREY	48	9011.054	SPRING FOR THERMAL FUSE
10	U143.003	PANELVIT TCB 3,5X16 TESTA D.8 G	49	9019.A61.00A	BOILER CASINGS ASS. PROFESS. 2
11	0333.A08	TURBINE ASS. OFFICE	49	9019.A61.00F	BOILER CASINGS ASS. PROFESS. 1
11	0333.A11	TURBINE ASS. OFFICE UL	49	9019.A61.00R	BOILER CASINGS ASS. PROFESS. 1
12	9972.022	SILICONE TUBR 5X8 L.2MT	50	U046.003	SCREW TCBD TORX 20 M4X12 ZN-B
13	NV99.001	ASPIRATION FILTER	51	NE15.026	MALE TONGUE 45° 6,3 D.5,2
14	9161.018	BRACKET FOR TURBINE	52	9011.152	BRASS CONNECTOR 1/8" FOR TUBE D=
15	9972.022	SILICONE TUBR 5X8 L.2MT	53	NM01.022	OR 2106 SILICONE
16	286473300	-M-VDE TURBINE WITH SENSOR KIT	54	9011.132	SPRING FOR PIN
17	0333.809	CONN.ASS.PAYMENT SYSTEM	55	9011.075	ADAPTER FOR LONG PIN
17	0333.817	CONN.ASS.PAYMENT SYSTEM UL	56	9019.A01	PIN ASS.
18	9991.056	SUPPORT FOR PUMP	57	NM01.008	OR ORM 0080-20 SILICONE
19	9991.084	RUBBER CONNECTION 90° ULKA	58	9011.165	BOILER SUPPORT WITH TUBE CONN.
20	9070.026.00A	PUMP 230V	59	9991.085	THERMOSTAT FIXING WASHER
20	9070.026.00F	PUMP 120V	60	9011.034	THERMOSTAT RETAINING SPRING
20	9070.026.00N	PUMP 220V 50/60HZ	61	9011.089	SPACER FOR SENSOR
20	9070.026.00R	PUMP 100V 50/60HZ	62	9019.A65	SENSOR ASS. FOR AUTOMATICA
21	9972.022	SILICONE TUBR 5X8 L.2MT	62	9019.A66	SENSOR ASS. FOR AUTOMATICA UL
22	0314.815	CONNECTOR ASS. 3POLE TURBINE PR	63	U043.019	screw TCBC M6,0X30 UNI 7687 GA
22	0317.830	CONN. ASS. 3 POLE TURBINE PROFE	64	NE09.021	THERMOSTAT 150°NC FASTON 90°
24	9161.278.150	CAP FOR ANTIDISTURB FILTER	65	9011.100	PEG FOR VALVE IN PLASTIC
25	NE13.039	ANTIDISTURB FILTER 0,47X2+1000Y	66	NM01.035	OR ORM 0090-20 SILICONE
26	0327.035.150	ANTIDISTURB FILTER SUPPORT	67	NM01.057	OR ORM 0050-20 SILICONE
27	U208.009	TOOTHED WASHER 8,4X15 UNI 370	68	9011.099	M CURSOR FOR BOILER VALVE IN PLA
28	U302.007	nut HEXAGONAL M8 UNI 55	69	9011.144	FORK FOR TUBE D.4
29	U143.003	PANELVIT TCB 3,5X16 TESTA D.8 G	70	9979.A55	TEFLON TUBE ASS. 4X2 L.260 7-7
30	9161.336.150	COVER FOR FILTER CARD GREY UL	71	NM02.028	OR 2015 EPDM FDA
30	9161.126.150	COVER FOR FILTER CARD GREY	72	9010.058.00A	BOILER ASS. ROYAL OFFICE 230V
31	0301.828.00F	FILTRATION CARD SUPERAUTOM. 120	72	9010.058.00F	BOILER ASS. ROYAL OFFICE 120V
32	NE01.061	CABLE SCHUKO H05 GREY 1 MM	72	9010.058.00R	BOILER ASS. ROYAL OFFICE 100V
32	NE01.062	CABLE CH H05 GREY 1 MM	73	U208.003	TOOTHED WASHER 5,1X9 BRU
32	NE01.064	CABLE USA 3 POLE GREY 1 MM	74	U043.021	screw TCBC M5,0X8 UNI 7687 GA
33	U109.005	screw AUT.TCB 3,5X16 DIN 7981	75	9991.039	CABLE RETAINER UL
33	U140.009	PANELVIT TCB 3,0X16 DIN 7505 B			
34	9011.152	BRASS CONNECTOR 1/8" FOR TUBE D=			
35	9121.115.00A	SOLEN. VALVE 15VA 2 WAY 1/8" FEM			
35	9121.115.00F	SOLEN. VALVE 15VA 2 WAY 1/8" FEM			
35	9121.127.00R	SOLEN.VALVE 15VA 2W.1/8"FEM.DN3			
36	0333.024	SHEET METAL PROTECTION			
37	NR07.021	STANDARD CONN. L MF 1/8 NIC			
38	U303.002	nut HEXAGONAL M12X1,25UNI 55			

**E003.033****SUP015V**

Pos	Article-Nr.	Description
39	0333.028	WATER DISPENSING TUBE
40	0333.A04.00A	WATER DISPENSING VALVE ASS.
40	0333.A04.00F	WATER DISPENSING VALVE ASS. 120V

Pos	Article-Nr.	Description
-----	-------------	-------------



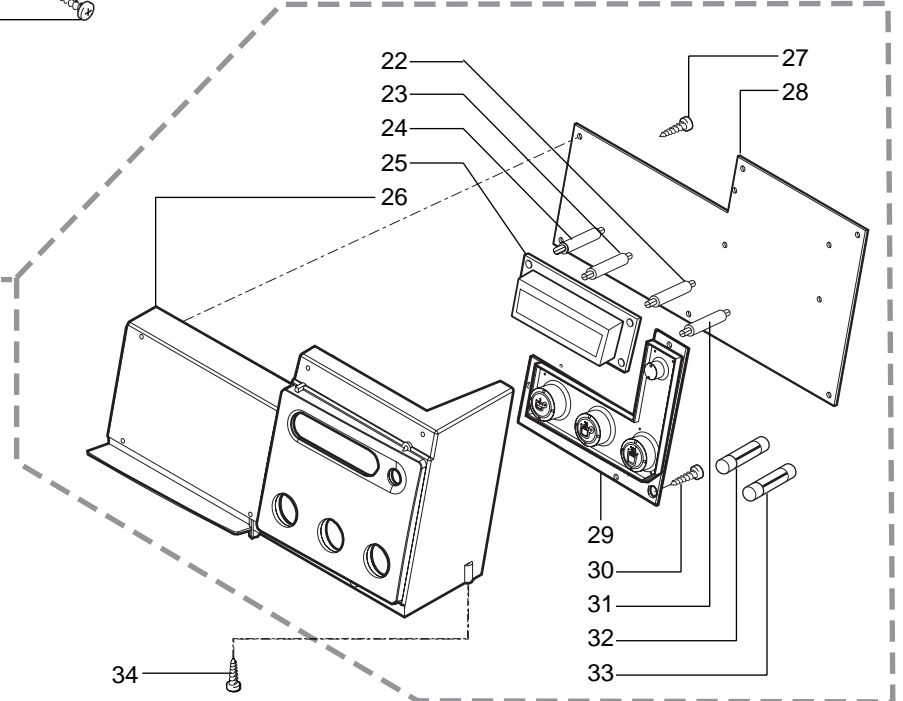
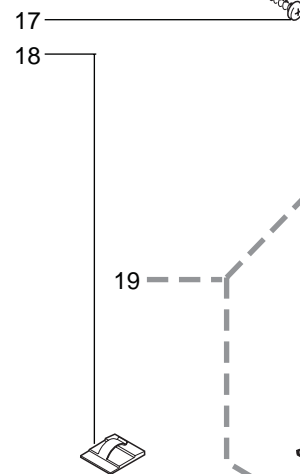
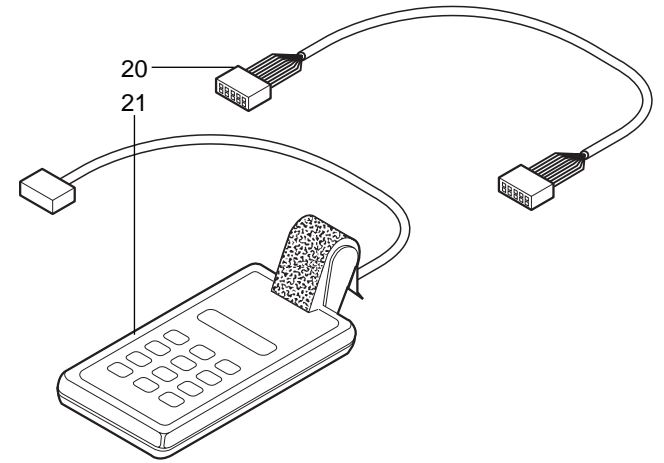
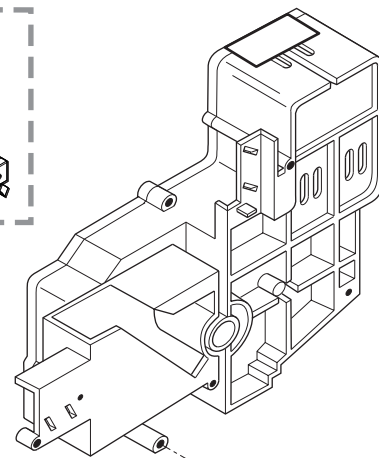
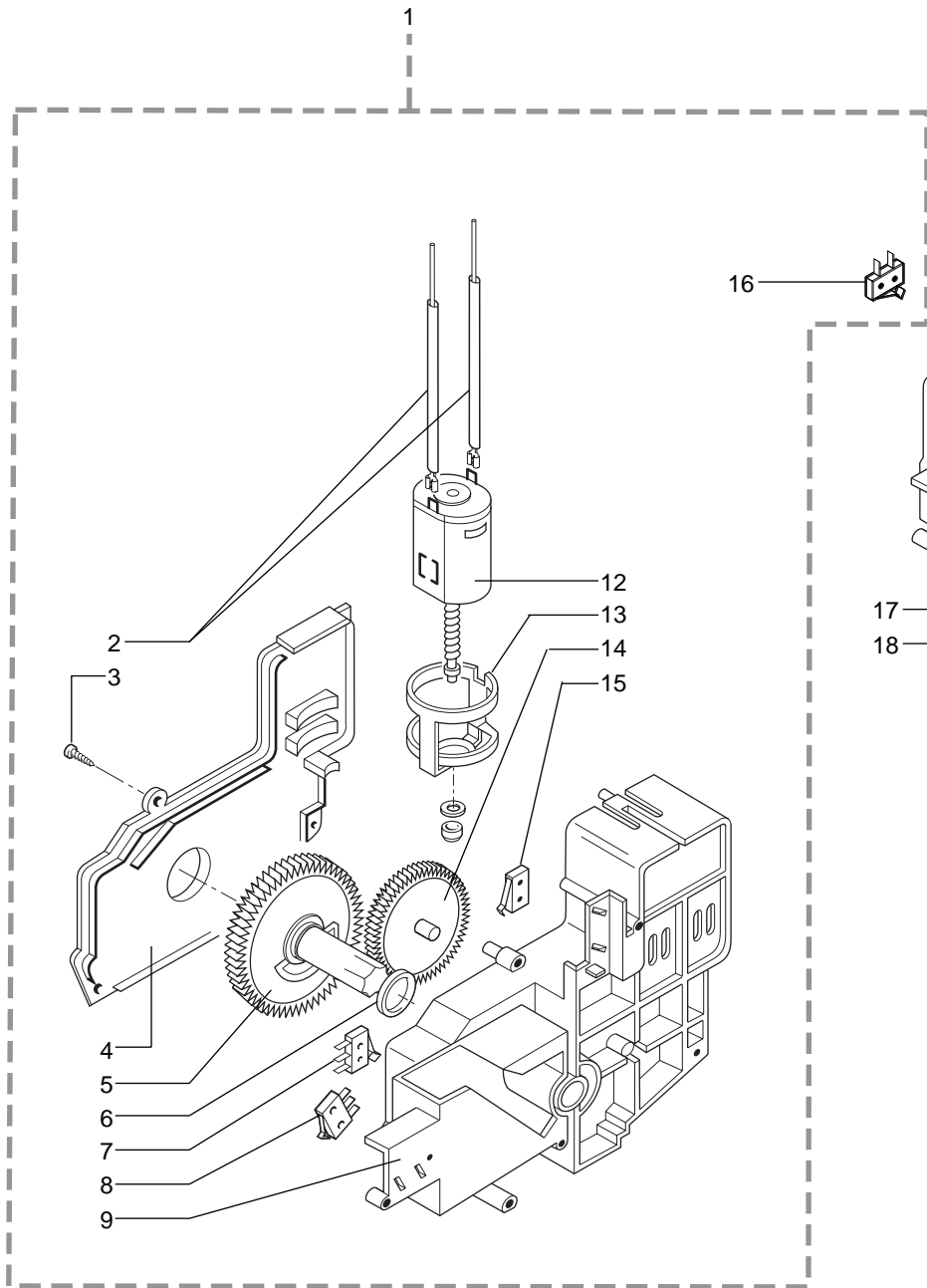


Pos	Article-Nr.	Description	Pos	Article-Nr.	Description
1	0301.811	CONNECTOR 2 POLES LEVEL ASSY.	48	9141.040	CONICAL GRINDER
1	0317.829	CONNECTOR 2 POLES LEVEL UL ASSY.	49	9141.044	SUPPORT FOR LOWER GRINDER +RING
2	U140.004	PANELVIT TCB 3,0X12 DIN 7505 B	50	146570950	RING NUT FOR GRINDING ADJUSTMENT
3	9161.048	SCRAPER ROD	51	128610421	STAIL.STELL AISI 304 SPHERE D=3,
4	9161.076.150	DOSER DOOR PIN GREY	52	126770117	NEW SPRING SPHERE D=3,2 MOTOR M
5	9161.074.150	DOSER DOOR GREY	53	9141.080	MOTOR SUPPORT
6	9161.044	DOSER ELECTROMAGNET SPRING	53	9141.016	MOTOR SUPPORT
7	U701.003	SNAP RING 7 UNI 7434	54	140230400	SHOCK ABS .CONICAL GRINDER SUPP.
8	9161.041	DOSER ELECTROMAGNET CORE	55	128610521	STAIL.STEEL AISI 304 SPHERE D=5,
9	0301.R30.00A	RICAMBIO BOBINA X SUPERAUTOMAM.2	56	126765517	STEEL SPRING SPHERE D=5,5 MOTOR
9	9129.A07.00F	COFFEE DOSER COIL ASS.120V	57	140360200	FELT RING 40X34X5
9	9129.A21.00A	WHOLE COIL X SUPERAUT.	58	0301.R10.00A	SPARE MOTOR UNIT MC 230V
10	NE05.017	MICROSWITCH	58	0301.R10.00F	SPARE MOTOR UNIT MC 120V
11	9161.072.150	MICRO SUPPORT CURSOR GREY	58	0301.R10.00R	SPARE MOTOR UNIT MC 100V
12	9161.073.150	DOSE CONTROL COMPENSATOR GREY	59	9140.005.00A	STANDARD 230V COFFEE GRINDER
13	9161.223.150	COMPL.HOPP.FOR POWDER COFFEE GRE	59	9140.005.00F	STANDARD 120V COFFEE GRINDER
14	9161.082	RUBBER COUPLER	59	9140.005.00R	
15	0301.868	CONNECTOR ASS. 2 POLE COFFEEGRI	59	9140.008.00A	COFFEE GRINDER SET
15	0301.869	CONNECTOR ASS. 2 POLE COFFEEGRI	59	9140.032.00A	
15	0301.804	CONNECTOR ASS. 2 POLE COFFEEGRI	59	9140.032.00F	
15	0317.818	CONN. ASS. 2 POLE COFFEEGRINDER	59	9140.032.00R	
16	144320200	SELF LOCK STRIP L=200MM	59	9140.033.00A	
17	NF11.034	CABLE HOLDER SUPPORT	60	0301.866	CONNECTOR ASS. 2 POLE DOSER COI
18	U140.004	PANELVIT TCB 3,0X12 DIN 7505 B	61	9161.382	INSULATOR FOR COFFEE GRINDER
19	9161.296.150	COVER FOR DOSER HOLE	62	9161.366.150	GREY/7016 SUPPORT FOR INSULATOR
20	U043.004	ZN-B TCB SCREW M4X16	63	1505.020	GASKET COFFEE GRINDER UL
21	9991.005	RUBBER FOR COFFEE GRINDER	64	1505.014	COFFEEGRINDER SEAL
22	9141.003	SPACER FOR RUBBER	65	9991.103	ANTIVIBRATION FOR COFFEEGRINDER
23	U324.006	NUT M4 FLANGED INDENTED BASE			
24	NE05.037	MICROSWITCH			
25	U140.004	PANELVIT TCB 3,0X12 DIN 7505 B			
26	9161.335.150	COFFEEGRINDER PROTECTION GREY UL			
26	9161.053.150	COFFEEGRINDER PROTECTION GREY			
27	U110.003	screw AUT.TCB 3,5X9,5 DIN 7981			
28	9161.029.150	PLATE FOR COFFEEGRINDER GREY			
29	9991.005	RUBBER FOR COFFEE GRINDER			
30	U140.004	PANELVIT TCB 3,0X12 DIN 7505 B			
31	9161.097.150	LEVER FIXING PLATE GREY			
32	0313.003.760	ADJUSTMENT LEVER BLUE			
33	U140.004	PANELVIT TCB 3,0X12 DIN 7505 B			
34	U109.017	screw AUT.TCB 2,9X6,5 DIN 7981			
35	0333.045.840	GRINDING ADJUSTMENT INDICATOR			
36	0333.008	GRINDING ADJ.LEVER			
37	0333.009	HANDGRIP RUBBER ADJUSTM. LEVER			
38	0333.A07.840	GRINDING ADJ. LEVER ASS.			
39	U109.015	Screw AUT.TCB 2,9X9,5 DIN 7981 C			
40	U201.001	PLAIN WASHER 3,2X9 DIN 7349			
41	9161.404.150	DOSE ADJUST. SCALE GREY RAL 7016			
42	149186150	BLACK UPPER GRINDER SUPPORT MAGI			
43	9141.039	UPPER GRINDER			
44	142844550	UPPER GRINDER COVER COFFEE GRIND			

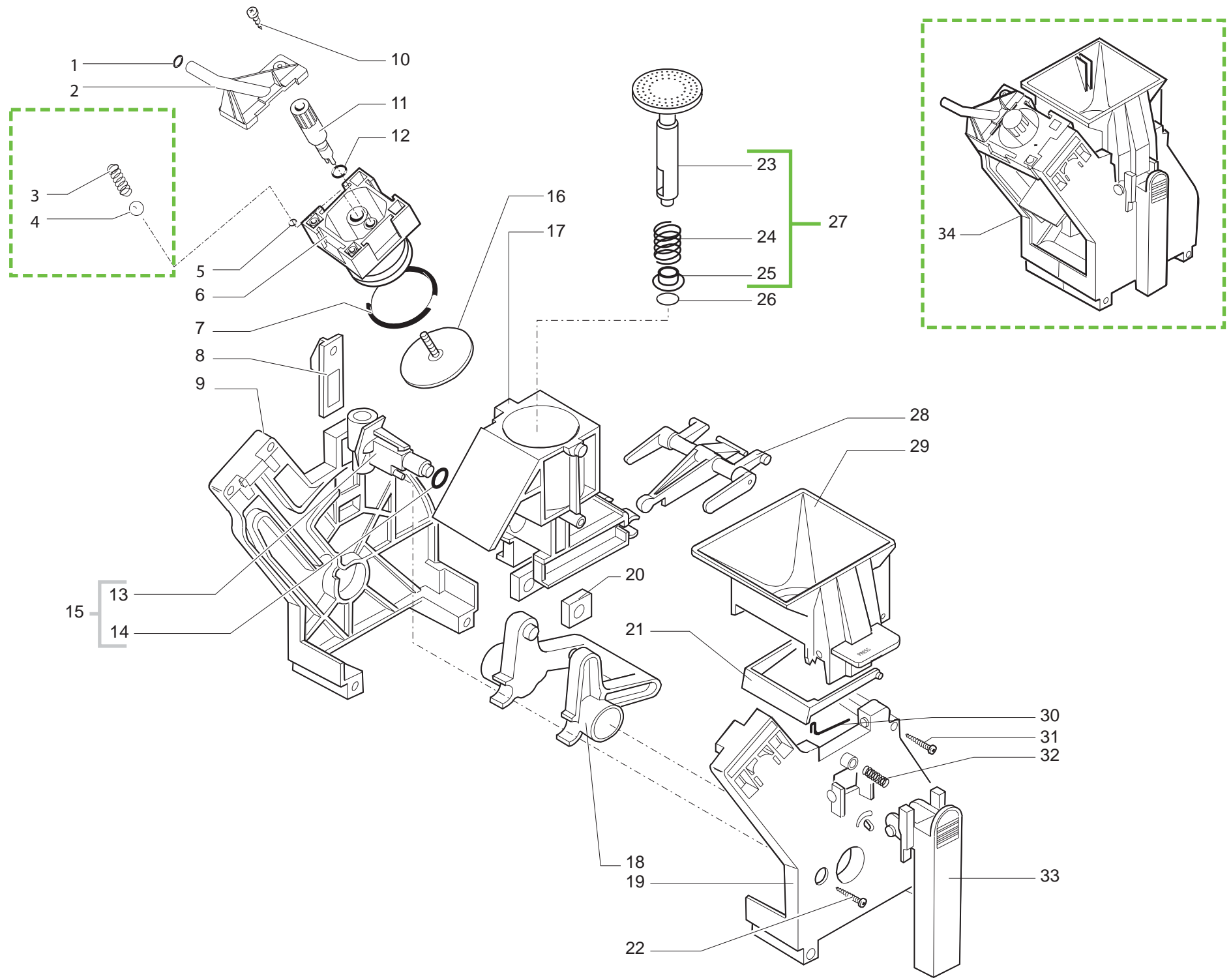
**E003.033****SUP015V**

Pos	Article-Nr.	Description
45	U143.004	screw TORX T10 TCB 3,5X40/28 S
46	147470763	INCREASE SCREW PIN COFFEE GRINDE
47	U201.002	PLAIN WASHER 10X16X0,2DIN 988

Pos	Article-Nr.	Description
-----	-------------	-------------



Pos	Article-Nr.	Description	Pos	Article-Nr.	Description
1	9120.021.150	WIRED RATIOMOTOR OFFICE GREY ASS			
1	9120.027.150	RATIOMOTOR ASS.OFFICE WIRED			
2	0333.810	CONN.2 POLE RATIOMOTOR OFFICE			
2	0333.821	2POLES CONNECT.RATIOMOTOR OFFICE			
3	U143.003	PANELVIT TCB 3,5X16 TESTA D.8 G			
4	9121.043.150	RATIOMOTOR LID GREY			
5	9121.069	GEAR Z.108 M 4000			
6	9161.368	MYLAR WASHER FOR RATIOMOTOR			
7	NE05.038	MICROSWITCH			
8	NE05.038	MICROSWITCH			
9	9121.064.150	CASING WITH TUBE AND PIN GREY			
10	9121.050	BAKELITE WASHER D.5.5			
11	9121.046	SINTERED BUSH FOR MOTOR			
12	9121.047	MOTOR FOR RATIOMOTOR ASSY			
13	9121.044	ANTIVIBRATION FOR MOTOR			
14	9121.042	GEAR Z.12/90			
15	NE05.038	MICROSWITCH			
16	NE05.038	MICROSWITCH			
17	U143.003	PANELVIT TCB 3,5X16 TESTA D.8 G			
18	NE17.002	ADH.CABLE RETAI.ROUND CABLE D=1			
19	0333.R01.77F	SPARES WHOLE ELECTRONICS			
19	0333.R02.77A	SPARES WHOLE ELECTRONICS			
19	0333.R03.77A	SPARES WHOLE ELECTRONICS			
20	0333.807	FLAT CONNECTION CARDS			
21	1440.000.00A	ROYAL PROGRAMMER 230V			
22	NL04.005	RICHCO SPACER MSPM-5-01 BD			
23	NL04.004	RICHCO SPACER MSPM-7-01 BK			
24	NL04.006	RICHCO SPACER MSPM-6-01			
25	0313.804	DISPLAY ROYAL DIGITAL/PROFESSIO			
26	0333.049.770	SILVER ELECTRONIC SUPPORT ROYAL			
26	0333.063.770	ELECT. SUPPORT S/SCREENED UL SIL			
27	U140.004	PANELVIT TCB 3,0X12 DIN 7505 B			
28	0333.801.00A	POWER CARD ROYAL OFFICE 230V			
28	0333.801.00F	POWER CARD ROYAL OFFICE 120V			
28	0333.823.00A	POWER CARD ROYAL OFFICE 230V			
29	0333.803	TOUCH PANEL CARD ASS.			
30	U145.002	screw AUT.TCB 3,0X6,0 PT WN 14			
31	NL04.006	RICHCO SPACER MSPM-6-01			
33	NE13.044	FUSE 5,0X20 8A 250V DELAYED			
34	U140.004	PANELVIT TCB 3,0X12 DIN 7505 B			



Pos	Article-Nr.	Description	Pos	Article-Nr.	Description
1	NM02.017	OR ORM 0055-15 TERMOIL			
2	9161.034.150	GREY COFFEE OUTLET SLEEVE			
3	9161.222	CONICAL SPRING			
4	9161.320	VALVE FOR UNIT			
5	NM02.013	OR ORM 0080-15 TERMOIL			
6	9161.193.150	GREY COUNTERPISTON FOR COFFEE UN			
7	NM01.044	OR ORM 0320-40 IN SILICONE PTFE/			
8	9161.067.150	GREY PLATE FOR UNIT COUPLING			
9	9161.070.150	GREY REAR PLATE FOR UNIT			
10	U140.019	SCREW TCB TORX 10 3X16 PLAST SS			
11	0701.R05.050	PIN FOR PERCOLATOR BLACK			
12	NM02.006	OR R5 TERMOIL			
13	9161.064.150	GREY WATER INLET SLEEVE BREW UNI			
14	NM02.007	OR 2025 TERMOIL			
15	0301.R04.150	GREY WATER INLET SLEEVE BREW UNI			
16	0301.R19	SPARES UNIT PERCOLATOR			
17	9161.195.150	GREY CONTAINER FOR UNIT ASSY.			
18	9161.066.150	ELBOW SHAFT FOR UNIT GREY			
19	9161.071.150	GREY FRONT PLATE FOR UNIT			
20	9161.094.150	GREY DRILLED BLOCK BREW UNIT			
21	9161.060.150	GREY SCRAPER FOR COFFEE UNIT			
22	U140.019	SCREW TCB TORX 10 3X16 PLAST SS			
23	9161.306.150	GREY INTEGRAL PISTON ASSY.			
24	9161.198	PISTON SPRING BREW UNIT M5000			
25	9161.191	NEUTRAL PISTON BUSH BREW UNIT M5			
26	NM02.018	OR ORM 0090-25 TERMOIL			
27	9161.343.150	INTERGRAL PISTON ASS.			
28	9161.065.150	CONNECTING ROD FOR UNIT GREY			
29	9161.123.150	GREY HOPPER FOR UNIT W/SILK SCRE			
30	9161.046	SPRING FOR UNIT SCRAPER			
31	U109.026	SS.SCREW AUT.TCB 3,5X19 DIN 798			
32	9161.045	SPRING FOR UNIT HANDGRIP			
33	9161.069.150	GREY HANDGRIP FOR COFFEE UNIT			
34	9160.064.150	GREY BREW UNIT ROYAL OFFICE			