

GAGGIA® SUP 020 / SUP 020R

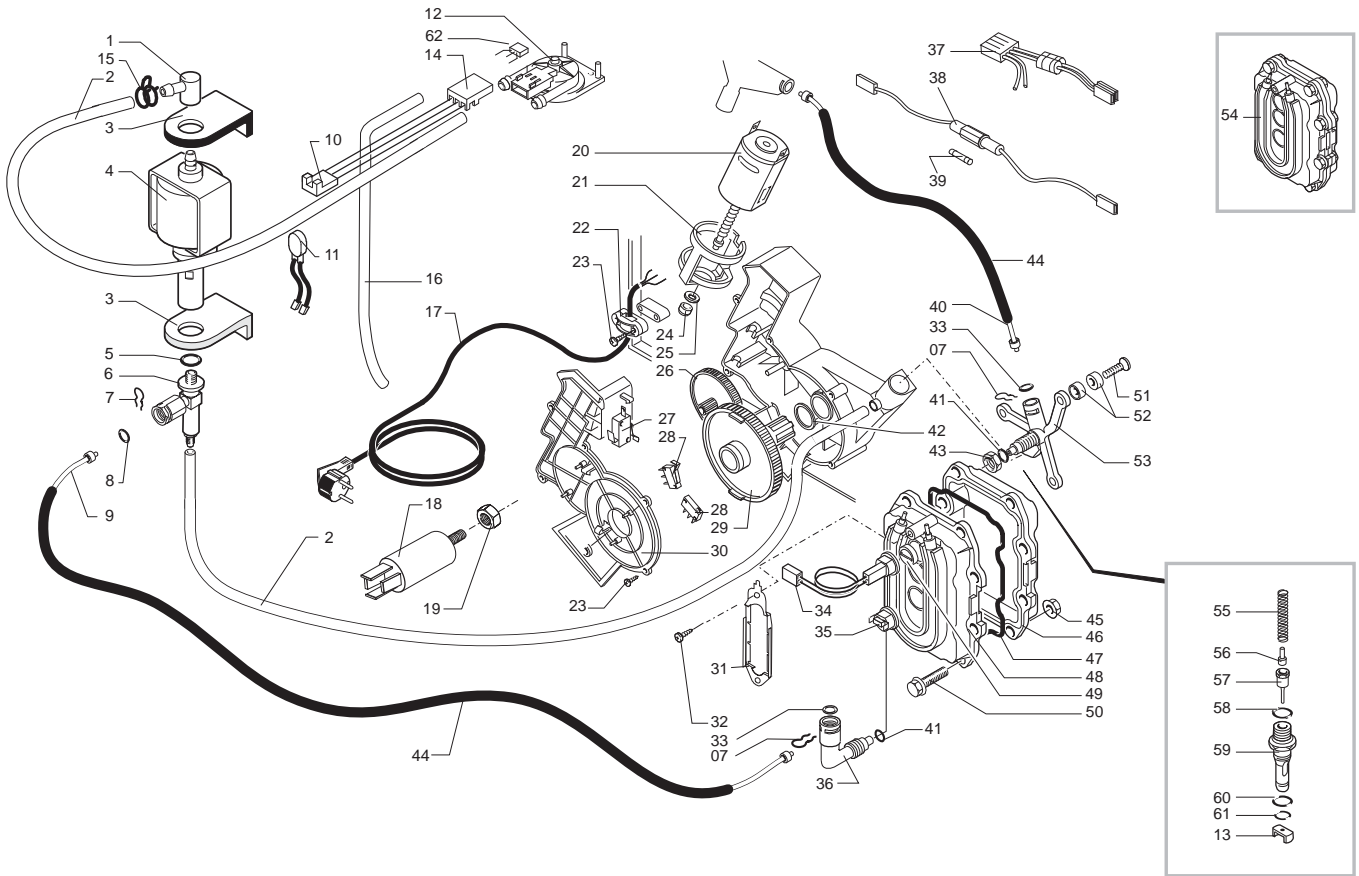


Cod. 740903-09-10-11-12

Cod. 1000021-116-132-133-150-2493

POS	CODE	DESCRIPTION	NOTE
01	142813480	TRANSP/GREY WATER CONT. LID MP5000	
02	222692180	WATER CONT. ASS. TR/GREY MP5000	
03	144650800	WATER TANK FILTER	
04	140328461	EPDM OR METRIC 0190-10	
05	140324362	OR METRIC 0060-30 IN SILICONE	
06	126764718	SPRING FOR WATER CONTAINER VALVE	
07	147660562	GREY WATER VALVE CONTAINER PISTON	
08	165880900	INSTRUCTIONS MANUAL GAGGIA SYN.LOGIC UL	
	15000200	INSTRUCTIONS MANUAL GAGGIA SYN.LOGIC UL	
	165899300	INST.MANUAL GAGGIA SINCHR.LOGIC/RS.	
	15000217	INSTR.MANUAL FACTORY SINCHRONY LOGIC *J*	
	15001279	INSTRUCTIONS MANUAL GAGGIA SYN.LOGIC BRA	
09	127390100	BRUSH FOR CLEANING	
10	U324.003	NUT M5 FLANGED INDENTED BASE FROM S/N.9005GA40019881	SUP020R
11	175896900	UPPER TECHM.ATE NSERT BOX MP5000	
12	175897000	LOWER TECHMATE INSERT BOX MP5000	
13	178506600	FLEXOGR.BOX GAGGIA SYNCHRONY LOGIC	
	178513900	DISPLAY BOX FACTORY SYNCHRONY LOGIC	
14	0701.031.150	SEAL COVER GREY	
15	145842900	WATER CONTAIN.VALVE SEAL GACO DIM14	
16	NE03.028	SWITCH B1031C1181000W	
17	129535721	SS SCREW TSP3,5X9,5 DIN 7982	
18	0701.014.150	SEAL CONTAINER GREY	
19	140320461	OR ORM 0080-20 IN TERMOIL	
20	227751308	CUPS PROTECTION MP5000 CHROMED	
21	222762307	ANTHRAC.GROUND COFFEE DOSER LID MP5000	
	222762341	SILVER GROUND COFFEE DOSER LID MP5000	
22	149260759	GREY HOPPER GROUND COFF.DOSER MP5000	
23	129670202	TCB PANELVIT SCREW 3,5X16 TESTA D=8 ZNP	
24	222811007	ANTHRACITE COVER MP5000 SILK/SCR.GAGGIA	
	222811041	SILVER COVER MP5000 SILK/SCREEN GAGGIA	
	222811066	SILVER COVER MP5000 UL SIL/SCREEN GAGGIA	
	222813041	SILVER COVER MP5000 SILK/SCREEN FACTORY	
25	129660902	PANELVIT TCB SCREW 3,5X12 D.7505 Z	
26	142602050	DUMP BOX BLACK P5000	
27	145894700	ROTATING RING RETAINING INSERT	
28	147622150	BLACK FOOT FOR REVOLVING RING	
29	220380159	ROTATING RING ASS.GREY/BLACK FEET	WITH PART.N°28
30	142813680	TRANSP/GREY COFF.BEAN CONT.LID MP5000	
31	9141.051.490	GRINDING ADJUSTMENT KNOB	

POS	CODE	DESCRIPTION	NOTE
32	129517103	SCREW TCB3,5X38,1 DIN 7981 GALV	
33	142713680	BEAN COFFEE CONTAINER GREY	230V
	142713780	BEAN CONT. W/SLOTS W/ DOS REG. S50	120V
34	U109.029	SCREW AUT.TCB 3,5X32 DIN 7981 C	
35	147715659	COFFEE DOSE ADJUST. KNOB M5000	
36	146001850	COFFEE DOSE ADJ.GEAR BLACK M5000	
37	146000850	GEAR COFF. GRIND. ADJUSTMENT COMBI	
38	9161.270	SEAL FOR COFFEE CONTAINER	
39	281561083	ELECTR.BOARD AS.MP5000 GREY-WHITE	230V
	281566382	ELECTRONIC BOARD AS.MP5000 G-W	120V
	11000959	ELECTR.BOARD AS.MP5000 GREY-WHITE	230V
	281566482	ELECTRONIC BOARD AS.MP5000 G-W	120V SUP020R
40	0311.020	BRACKET FOR DOOR CLOSURE	
41	142482699	TRANSPARENT CAP LED COVER MP5000	
42	224884650	BLACK FRONT PANEL MP5000 SILK/SCREEN	
	224884618	BLACK FRONT PANEL MP5000 UL SILK/SCREEN	
43	147716559	GREY CONTROLS SELECTION KNOB MP5000	
44	223700550	BLACK COFFEE DISPENSER P5000	
45	222482250	BLACK CASING ASSY.MP5000	
	222482218	BLACK CASING ASSY.MP5000/UL	SPARES
46	228982107	ANTHRACITE DOOR P5000	SPARES
	228982141	SILVER DOOR P5000	
47	145743250	BLACK GRATE FOR MP5000	
48	229630707	ANTHRACITE DRIP TRAY MP5000	
	229630741	SILVER DRIP TRAY MP5000	
49	9991.105	MAGNET D.9MM	
50	147622850	BLACK FOOT	
51	145500211	RED FLOAT FOR SEB GRAN CAFFE'	
52	U140.004	PANELVIT TCB 3,0X12 DIN 7505 B GAL	
53	175896300	POLYST.INSERT 388X413X17	
54	123591920	BRASS SPACER D=7,9 H=1,8 COP.MP5000	
55	129827002	TCB SCREW M5X16 UNI 7687 ZNP FROM S/N.9005GA40019881	
56	127751702	GALVANIZED PROTECTION FOR CASING MP5000 FROM S/N.9005GA40019881	



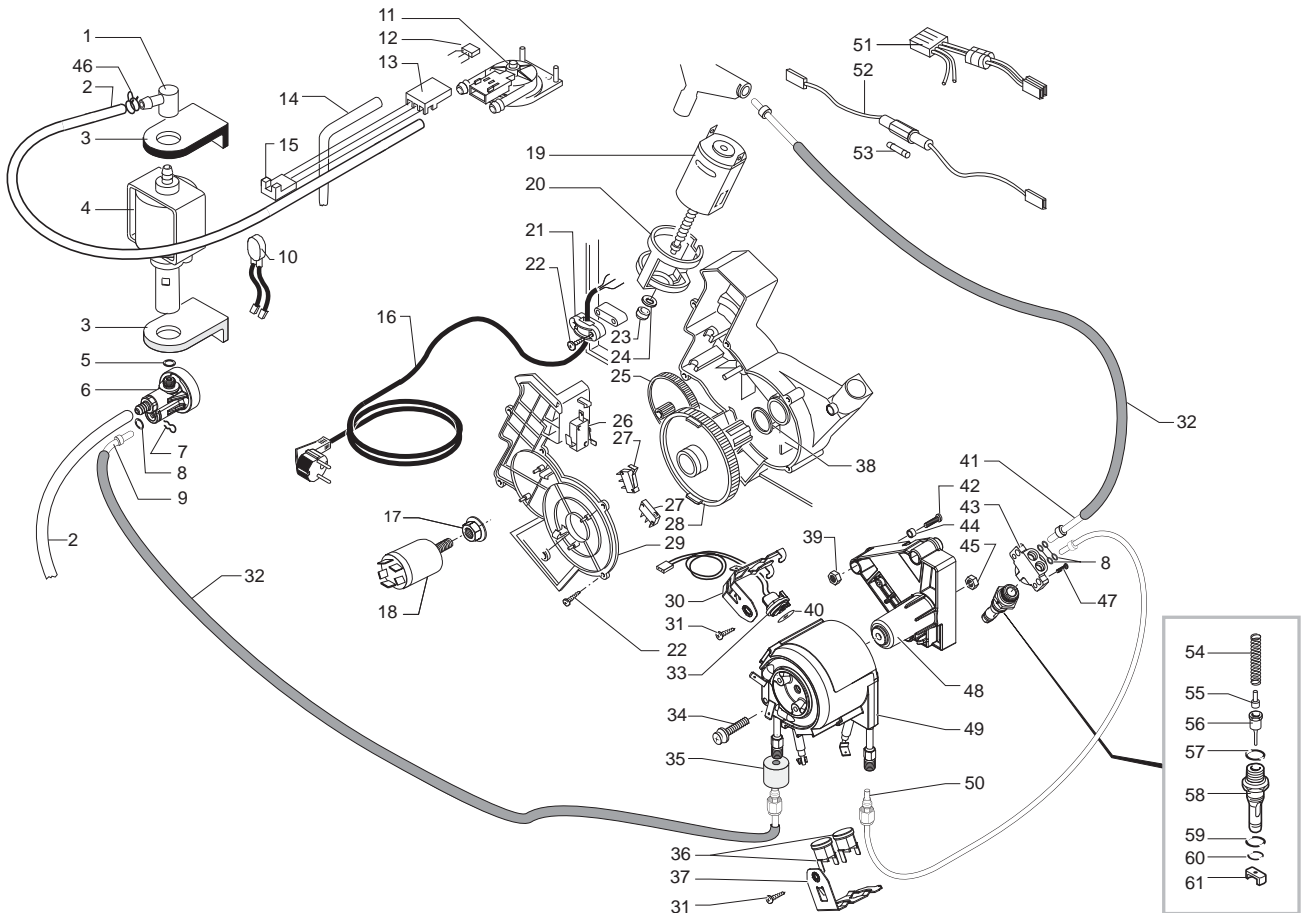
GAGGIA® SUP 020

ALUMINUM BOILER

Cod. 740903-09-10-11-12

Cod. 1000021-116-132-133-150-2493

POS	CODE	DESCRIPTION	NOTE	POS	CODE	DESCRIPTION	NOTE
01	147920150	90°CONNECTOR PUMP INLET		39	NE13.008	FUSE 5,0X20 6,3A 250V DELAYED	
02	149360200	SILICONE TUBE 5X8 70SR	IN ROLL	40	227872000	CONNECTOR AS. TEFLON 2X4 L=440 MM	
03	149185850	EATON PUMP SUPPORT MAGIC 4002012		41	140321462	OR 2018 IN SILICONE	
04	12000140	ULKA PUMP EP5/S GW	230V-50HZ	42	9161.132	MYLAR WASHER FOR RATIOMOTOR	
05	140321961	OR 2031 IN TERMOIL		43	123390420	NUT 1/8 GAS H=4.5 CH=13 BRASS	
06	229451300	PUMP SAFETY VALVE D=8 ULKA PUMP		44	149361200	BLACK SILICONE TUBE 7,5X9,3	IN ROLL
07	9011.144	FORK FOR TUBE D.4		45	123270102	NUT M6 FLANGED TOOTHED BASE GALV	
08	NM02.028	OR 2015 EPDM FDA		46		PARTICULAR NOT AVAILABLE	SEE PART.N°54
09	227871900	CONNECTOR AS. TEFLON 2X4 L=250 MM		47	145854259	SILICONE PTFE/FDA BOILER SEAL	
10	283550700	3 P.CONNET.AS.TURBIN.JP4 MP5000		48		PARTICULAR NOT AVAILABLE	SEE PART.N°54
11	289202100	THERMAL.PROTECTOR 120°C CABLES 125/545		49	123591222	ALUM.SPACER NEW FOR SENSOR MAGIC	
12	286473300	-M-VDE TURBINE WITH SENSOR KIT		50	U046.004	SCREW TEFZ M6,0X26 GALV.	
13	9011.099	M CURSOR FOR BOILER VALVE IN PLASTIC		51	U044.017	SCREW TSPC M5,0X20 UNI 7688 GALV.	
14	9161.018	BRACKET FOR TURBINE		52	9161.206	INSULATING SPACER FOR BOILER	
15	184320200	SPRING HOSE CLAMP D=9,5MM		53	9011.126	ALU.BOILER SUPPORT BRASS	
16	JS01.022	SILICONE TUBE 5X10 60 SHORE	IN ROLL	54	282058158	AN/ALU.BOIL.ASSY.M5000 V2.1/F SP	230V
17	283910250	BLACK POWER CABLE SCHUKO + TOROIDE		55	9011.132	SPRING FOR PIN	
	283970150	BLACK POWER CABLE UK + TOROIDE		56	227480203	NIK/BRASS PIN FOR PISTON L=10	
	283940150	BLACK POWER CABLE AUSTRALIA + TOROIDE		57	11009019	TEA/BRASS PISTON L=20,9 ASSY.	
18	184651100	ANTIDISTURB FILTER 0,47X2+1000Y2+0,5L		58	140320459	OR ORM 0080-20 IN SILICONE PTFE/FDA	
19	123453602	FLANGE NUT M8 TOOTHED BASE GALV.		59	9011.100	PEG FOR VALVE IN PLASTIC	
20	286891758	GENERAL MOTOR FOR RATIOMOTOR ASSY.	230V	60	NM01.035	OR ORM 0090-20 SILICONE	
21	9121.044	ANTIVIBRATION FOR MOTOR		61	NM01.057	OR ORM 0050-20 SILICONE	
22	148600600	CABLE CLAMP V0 MAGIC ESP COMBI UL		62		PARTICULAR NOT AVAILABLE	SEE PART.N°12
23	129670202	TCB PANELVIT SCREW 3,5X16 TESTA D=8 ZNP			289435100	GENERAL TURBINE AS.FOR MP5000	
24	9121.046	SINTERED BUSH FOR MOTOR					
25	148380200	WASHER BAKELIZZATE D=5,5					
26	9121.042	GEAR Z.12/90					
27	NE05.042	MICROSWITCH					
28	NE05.038	MICROSWITCH					
29	9121.068.150	GEAR Z=108 FOR MOUNTING PLATE M5000					
30	9161.200.920	TRANSPARENT LID FOR RATIOMOTOR M5000					
31	126836517	STEEL SPRING RETAIN.3 THE.BOIL. M5					
32	129575403	SCREW TAPT M5X10 DIN 7500C NICK					
33	140328059	OR 2015 IN SILICONE PTFE/FDA					
34	288581358	SENSOR ASS.CA MP5000/SMART	230V				
	288581558	SENSOR ASS.W/RES.100 OHM M5000	230V				
35	189428200	THERMOSTAT 175° 1NT-08L-3794					
36	127914020	BRASS 90 DEG FIT.1/8" GAS MASTER 5000					
37		PARTICULAR NOT AVAILABLE	SEE PART.N°20				
38	183361362	CABLE 1 WIRE SILIC.BLUE+THERMAL 6,3A					



GAGGIA® SUP 020

STAINLESS STEEL BOILER



Cod. 740903-09-10-11-12

Cod. 1000021-116-132-133-150-2493

POS	CODE	DESCRIPTION	NOTE
01	147920150	90°CONNECTOR PUMP INLET	
02	149360200	SILICONE TUBE 5X8 70SR	IN ROLL
03	149185850	EATON PUMP SUPPORT MAGIC 4002012	
04	12000131	ULKA PUMP EP5/S	120V-60HZ
	12000140	ULKA PUMP EP5/S GW	230V-50HZ
05	140321961	OR 2031 IN TERMOIL	
06	229452100	COMPENSATION AND SAFETY VALVE 16BAR ASSY	
07	9011.144	FORK FOR TUBE D.4	
08	140328059	OR 2015 IN SILICONE PTFE/FDA	
09	227874900	CONNECTOR AS.TEFLON 2X4 L=250 MM	
10	289202400	THERMAL PROTECTOR 120°C CABLES 125/545	
11	286473300	-M-VDE TURBINE WITH SENSOR KIT	
12		PARTICULAR NOT AVAILABLE	SEE PART.N°11
13	9161.018	BRACKET FOR TURBINE	
14	JS01.022	SILICONE TUBE 5X10 60 SHORE	IN ROLL
15	283550700	3 P.CONNET.AS.TURBIN.JP4 MP5000	
16	289183543	POWER CABLE ASS.USA+ANTIDIST.FILTER	120V
	11001093	POWER CABLE SCHUKO+ANTIDIST.FILTER ASSY.	
	11008788	POWER CABLE BRASIL+ANTIDIST.FILTER ASSY.	
	11001310	POWER CABLE UK + ANTIDIST.FILTER ASSY.	
	11001257	POWER CABLE AUSTRAL+ANTIDIST.FILTER ASSY	
17	123453602	FLANGE NUT M8 TOOTHED BASE GALV.	
18	184651100	ANTIDISTURB FILTER 0,47X2+1000Y2+0,5L	120V
	184651500	ANTIDISTURB FILTER 16A FNC 1610474472A	230V
19	11005131	GEN.MOTOR FOR RATIOMOTOR MP5000V2 ULASS	120V-230V
20	9121.044	ANTIVIBRATION FOR MOTOR	
21	148600600	CABLE CLAMP V0 MAGIC ESP COMBI UL	
22	129670202	TCB PANELVIT SCREW 3,5X16 TESTA D=8 ZNP	
23	9121.046	SINTERED BUSH FOR MOTOR	
24	148380200	WASHER BAKELIZZATE D=5,5	
25	9121.042	GEAR Z.12/90	
26	NE05.042	MICROSWITCH	
27	NE05.038	MICROSWITCH	
28	9121.068.150	GEAR Z=108 FOR MOUNTING PLATE M5000	
29	9161.200.920	TRANSPARENT LID FOR RATIOMOTOR M5000	
30	126838217	SENSOR FIXING SPRING	
31	129573202	SCREW TCB PH/TT 4X8 UNI 8112 ZNP	
32	149361200	BLACK SILICONE TUBE 7,5X9,3	IN ROLL
33	288582300	SENSOR ELECT.BOARD WITH CONNECTOR ASSY.	
34	129932202	ROUND HEAD SCREW 10.9 M5X20 GALV	
35	147756562	PROTECTION FOR FOLK SPRING TUBE D=4	

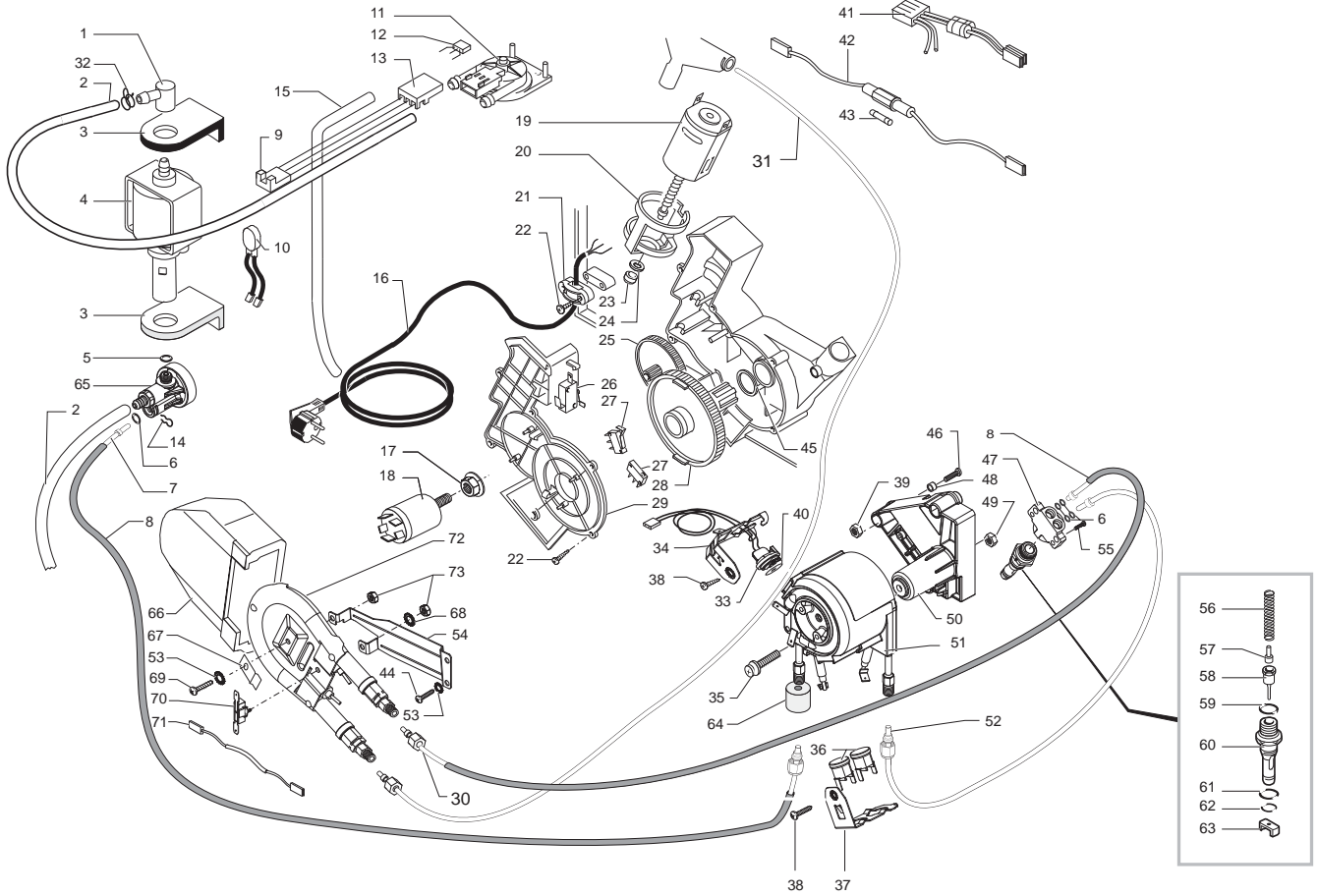
POS	CODE	DESCRIPTION	NOTE
36	189428600	THERMOSTAT 175° 1NT-08L-5125	
37	126838117	2 THERMOSTATS FIXING SPRING	
38	9161.132	MYLAR WASHER FOR RATIOMOTOR	
39	123160502	NUT M5 HIGH UNI 5587-68 GALVANIZED	
		UP TO S/N.9005GA40020461	
40	145951600	ELECTRIC INSULATING DISK D=16	
41	227872000	CONNECTOR AS. TEFLON 2X4 L=440 MM	
42	U044.020	SCREW TSP M5,0X30 UNI 7688 GALV.	
		UP TO S/N.9005GA40020461	
	129932502	SCREW TCEI 5X30 PLAST.ZN-B	
		FROM S/N.9005GA40020462	
43	147922700	BOILER SUPPORT CONNECTOR	
44	9161.206	INSULATING SPACER FOR BOILER	
45	123453902	SELF-LOCKI.NUT M5X0,8 DIN 980 CLA.8	
46	184320200	SPRING HOSE CLAMP D=9,5MM	
47	129910103	HI-LO TC SCREW 3,5X15 RIF.910189	
48	20000203	SPARES KIT SUPPORT BOILER M5000	
		UP TO S/N.9005GA40020461	
	149197900	SUPPORT FOR ALLUMINIUM BOILER	
		FROM S/N.9005GA40020462	
49	282058855	ALU.BOILER WITH RESISTANCE	120V-1100W
	282058858	ALUM.BOILER WITH RESISTANCE	230V-1100W
50	227876800	CONNECTOR TEFLON 2X4 L=235 MM ASSY.	
51		PARTICULAR NOT AVAILABLE	SEE PART.N°19
52	183361062	CABLE 1 WIRE SIL.BLUE AWG18 + FUSE	120V
	183361362	CABLE 1 WIRE SILIC.BLUE+THERMAL 6,3A	230V
53	184950200	FUSE T15 AMP.DELAYED	120V
	NE13.008	FUSE 5,0X20 6,3A 250V DELAYED	230V
54	9011.132	SPRING FOR PIN	
55	11009013	TEA/BRASS PIN FOR PISTON L=10	
56	11009019	TEA/BRASS PISTON L=20,9 ASSY.	
57	140320459	OR ORM 0080-20 IN SILICONE PTFE/FDA	
58	9011.100	PEG FOR VALVE IN PLASTIC	
59	NM01.035	OR ORM 0090-20 SILICONE	
60	NM01.057	OR ORM 0050-20 SILICONE	
61	9011.099	M CURSOR FOR BOILER VALVE IN PLASTIC	
	289435100	GENERAL TURBINE AS.FOR MP5000	
	282136755	AL BOILER WITH RESISTANCE MP5000 120V	
	11001097	AL BOILER WITH RESISTANCE MP5000 230V	COMPLETE COMPLETE
		WITH PART. N° 09-30-31-33-34-35-36-37-40-43-45-46-47-48-49-50-54-56-57-58-59-60-61	

GAGGIA®

SYNCRONY LOGIC

Rev. 02 - 09/05/08

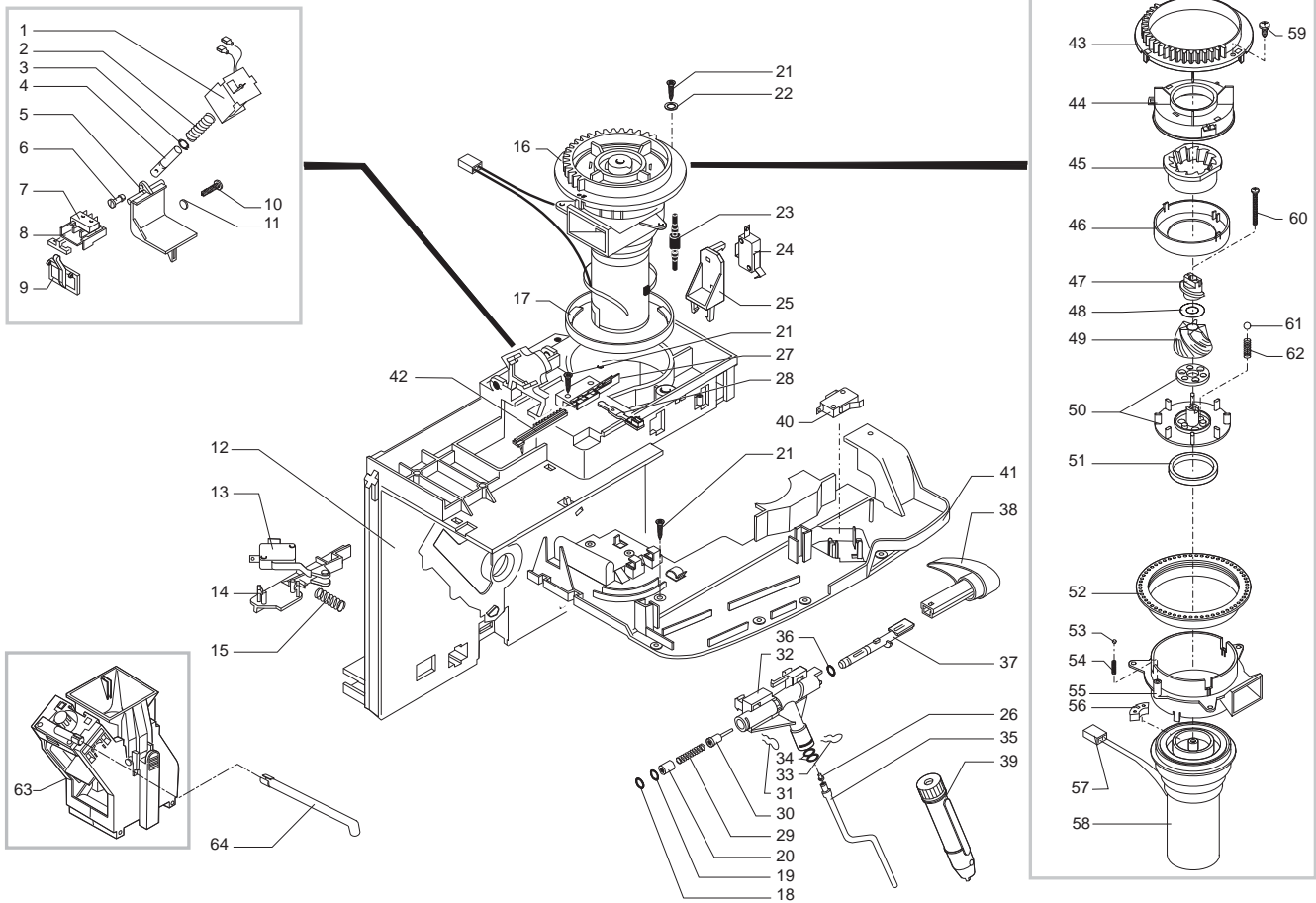
TABLE 3/5



GAGGIA® SUP 020R STAINLESS STEEL BOILER

Cod. 740903-09-10-11-12
Cod. 1000021-116-132-133-150-2493

POS	CODE	DESCRIPTION	NOTE	POS	CODE	DESCRIPTION	NOTE
01	147920150	90°CONNECTOR PUMP INLET		41	183361462	CABLE 1 STR.SILIC.BLUE+THERMAL 15A	
02	149360200	SILICONE TUBE 5X8 70SR	IN ROLL	42	184950200	FUSE T15 AMP.DELAYED	
03	149185850	EATON PUMP SUPPORT MAGIC 4002012		44	129573402	SCREW TAPT M4X10 DIN 7985 GALV	
04	12000131	ULKA PUMP EP5/S	120V-60HZ	45	9161.132	MYLAR WASHER FOR RATIOMOTOR	
05	140321961	OR 2031 IN TERMOIL		46	U044.020	SCREW TSP M5,0X30 UNI 7688 GALV.	
06	140328059	OR 2015 IN SILICONE PTFE/FDA			129932502	SCREW TCEI 5X30 PLAST.ZN-B	
07	227874900	CONNECTOR AS.TEFLON 2X4 L=250 MM		47	147922700	BOILER SUPPORT CONNECTOR	
08	149361200	BLACK SILICONE TUBE 7,5X9,3	IN ROLL	48	9161.206	INSULATING SPACER FOR BOILER	
09	283550700	3 P CONNET.AS.TURBIN.JP4 MP5000		49	123453902	SELF-LOCKI.NUT M5X0,8 DIN 980 CLA.8	
10	289202400	THERMAL PROTECTOR 120°C CABLES 125/545		50	20000203	SPARES KIT SUPPORT BOILER M5000	
11		PARTICULAR NOT AVAILABLE	SEE PART.N°12		149197900	SUPPORT FOR ALLUMINIUM BOILER	
12	286473300	-M-VDE TURBINE WITH SENSOR KIT	WITH PART.N°11			FROM S/N. 9005GA40020462	
13	9161.018	BRACKET FOR TURBINE		51	282058855	ALU.BOILER WITH RESISTANCE	120V-1100W
14	9011.144	FORK FOR TUBE D.4		52	227876800	CONNECTOR TEFLON 2X4 L=235 MM ASSY.	
15	JS01.022	SILICONE TUBE 5X10 60 SHORE	IN ROLL	53	128310404	WASHER UNI 8842 A4 BURNISHED	
16	289183543	POWER CABLE ASS.USA+ANTIDIST.FILTER		54	129024802	GALV.BRACKET BOILER M5000 SUPPORT	
17	123453602	FLANGE NUT M8 TOOTHED BASE GALV.		55	129910103	HI -LO TC SCREW 3,5X15 RIF.910189	
18	184651100	ANTIDISTURB FILTER 0,47X2+1000Y2+0.5L		56	9011.132	SPRING FOR PIN	
19	11005131	GEN.MOTOR FOR RATIOMOTOR MP5000V2 UL ASSY	WITH PART.N°41	57	11009013	TEA/BRASS PIN FOR PISTON L=10	
20	9121.044	ANTIVIBRATION FOR MOTOR		58	11009019	TEA/BRASS PISTON L=20,9 ASSY.	
21	148600600	CABLE CLAMP V0 MAGIC ESP COMBI UL		59	140320459	OR ORM 0080-20 IN SILICONE PTFE/FDA	
22	129670202	TCB PANELVIT SCREW 3,5X16 TESTA D=8 ZNP		60	9011.100	PEG FOR VALVE IN PLASTIC	
23	9121.046	SINTERED BUSH FOR MOTOR		61	NM01.035	OR ORM 0090-20 SILICONE	
24	148380200	WASHER BAKELIZZATE D=5,5		62	NM01.057	OR ORM 0050-20 SILICONE	
25	9121.042	GEAR Z.12/90		63	9011.099	M CURSOR FOR BOILER VALVE IN PLASTIC	
26	NE05.042	MICROSWITCH		64	147756562	PROTECTION FOR FOLK SPRING TUBE D=4	
27	NE05.038	MICROSWITCH		65	229452100	COMPENSATION AND SAFETY VALVE 16BAR ASSY	
28	9121.068.150	GEAR Z=108 FOR MOUNTING PLATE M5000		66	147755100	HEAT.ELEMENT PROT.BLECKMANN M5000	
29	9161.200.920	TRANSPARENT LID FOR RATIOMOTOR M5000		67	127535319	GALV/STEEL THERMAL FUSE FIXING PLATE	
30	227875300	CONNECTOR AS.TEFLON 2X4 L=275 MM		69	129823802	TCB SCREW M4X8 UNI 7687 ZNP	
31	227875700	CONNECTOR TEFLON 2X4 L=530 MM ASSY.		70	189428300	THERMOSTAT 175° INTERCONTR.161471002	
33	288582300	SENSOR ELECT.BOARD WITH CONNECTOR ASSY.		71	183441062	CABLE 1WIRE SILICONE BLACK AWG18+TH/FUSE	
34	126838217	SENSOR FIXING SPRING		72	288140455	HEATING-ELEMENT BLECKMAN ASSY.	120V-1000W
35	129932202	ROUND HEAD SCREW 10.9 M5X20 GALV		73	U302.003	NUT HEXAGONAL M4 UNI 5588	
36	189428600	THERMOSTAT 175° 1NT-08L-5125			282136655	AL.BOILER WITH RESISTANCE MP5000RS 120V	COMPLETE
37	126838117	2 THERMOSTATS FIXING SPRING				WITH PART. N° 06-07-30-33-34-35-36-37-38-40-47-	
38	129573202	SCREW TCB PH/TT 4X8 UNI 8112 ZNP				49-50-51-52-55-56-57-58-59-60-61-62-63-64	
39	U310.003	NUT SELF LOCK.M5 UNI 7473					
40	145951600	ELECTRIC INSULATING DISK D=16					
41		PARTICULAR NOT AVAILABLE	SEE PART.N°19				



GAGGIA® SUP 020 / SUP 020R



Cod. 740903-09-10-11-12

Cod. 1000021-116-132-133-150-2493

POS	CODE	DESCRIPTION	NOTE	POS	CODE	DESCRIPTION	NOTE
01	9129.A21.00A 283770755 283770758	WHOLE COIL X SUPERAUT. V2 COFFEE DOSER COIL ASSY. V2 COFFEE DOSER COIL ASSY.	230V 120V 230V	38	227721959	STEAM DISPEN. KNOB MP5000 GREY S/SCR	
02	126764818	SPRING ELECTROM.BEAN DOSER MAGIC		39	147430150	PANNARELLO AS. BLACK PLASTIC	
03	U701.003	SNAP RING 7 UNI 7434		40	186723200	MICROSWITCH SAIA 3M502K2KAM32AE	
04	9161.041	DOSER ELECTROMAGNET CORE		41	149192900	BLACK FRONT PANEL SUPPORT P5000	
05	9161.074.150	DOSER DOOR GREY		41	149192918	BLACK FRONT PANEL SUPPORT P5000 UL	
06	9161.076.150	DOSER DOOR PIN GREY		42	148740450	TOOTHED SLIDE FOR DOSE ADJUST GEAR	
07	NE05.017	MICROSWITCH		43	148650250	SECTOR GEARGRIND ADJUSTMENT KNOB COMBI	
08	149185959	BEAN DOSER MICRO SUPORT MAGIC		44	149186150	BLACK UPPER GRINDER SUPPORT MAGIC	
09	148700559	COFFEE DOSER DOSE ADJ. SEL. GR MAG		45		PARTICULAR NOT AVAILABLE	SEE PART.N°49
10	U140.004	PANELVIT TCB 3,0X12 DIN 7505 B GAL		46	142844550	UPPER GRINDER COVER COFFEE GRIND. MAGIC	
11	9161.048	SCRAPER ROD		47	147470763	INCREASE SCREW PIN COFFEE GRINDER MAGIC	
12	11009326	GREY/7016 MOUNTING PLATE M5000 UL ASSY.		48	U201.002	PLAIN WASHER 10X16X0,2DIN 988 GAL	
13	186724100 186724000	MICROSWITCH SAIA X3M302K2KAM92AU MICROSWITCH SAIA X3M502K8MCM92AU		49	226477700	KIT ITAL MILL GRINDERS	
14	9161.202.150	COMPENSATOR FOR GROUNDS MICRO		50	149188750	CONICAL GRIND. SUPP. + RING MAGIC	
15	9161.221	SPRING GROUND.MICROSUPP.COMPENSA		51	140360200	FELT RING 40X34X5	
16	286883058 286884755	GENERAL MOTOR ASSY.MP5000 GENERAL MOTOR MP5000 ASSY.	230V 120V	52	146570950	RING NUT FOR GRINDING ADJUSTMENT MAGIC	
17	9141.052	COFFEEGRINDER REINFORCING RING		53	128610421	STAIL STEEL AISI 304 SPHERE D=3,2MM	
18	140328161	OR D=3,85 X 1,90 IN EPDM		54	126770117	NEW SPRING SPHERE D=3,2 MOTOR MAGIC	
19	NM02.028	OR 2015 EPDM FDA		55	149186350	BLACK GRINDER MOTOR SUPPORT MAGIC	
20	11009011	TEA/BRASS BUSH FOR FAUCET		56	140230400	SHOCK ABS .CONICAL GRINDER SUPP.MAGIC	
21	129670202	TCB PANELVIT SCREW 3,5X16 TESTA D=8 ZNP		57	283550658 283550655	2 P.CONN.AS.COFFEEGRIND.JP1 MP5000 2 P.CONN.AS.COFFEEGRIND.JP1 MP5000	230V 120V
22	U207.004	PLAIN WASHER 4,3X16 UNI 6592 GAL		58	9141.037.00A 9141.075.00F	MOTOR GRINDER ASSY MOTOR MC MIELE WERKS NORME	230V 120V
23	9991.103	ANTIVIBRATION FOR COFFEEGRINDER		59	129511803	SCREW TCB 2,9X6,4 DIN 7981 NICK	
24	NE05.043	MICROSWITCH		60	129931002	TORX SCREW T10 TCB 3,5X40 SX ZNG	
25	9161.207.150	SUPPORT FOR FAUCET MICRO		61	128610521	STAIL STEEL AISI 304 SPHERE D=5,5MM	
26	145895000	TEFLON INSERT FOR STEAM TUBE P5000		62	126765517	STEEL SPRING SPHERE D=5,5 MOTOR MAGIC	
27	147571850	BLACK LEVER FIXING PLATE + DOSE ADJUSTM.		63	11004181	BLACK BREW UNIT NEW M5000 (SEE COD. EXP. E90050)	
28	9161.122.150	DOSE ADJUSTMENT LEVER GREY CLASSIC		64	149500800	COFFEE DISPENSER TUBE S5000	
29	126765317	STEEL SPRING BOILER PISTON MAGIC				NOTE:FOR SINGLE PARTS OF OLD GREY BREW UNIT: SEE EXP.CODE E90026	
30	11009019	TEA/BRASS PISTON L=20,9 ASSY.					
31	9011.144	FORK FOR TUBE D.4					
32	9161.204.G	STEAM FAUCET M5000					
33	126764018	SPRING D=1STEAM TUBE HOLDER JUN.					
34	140324461	OR ORM 0060-20 IN TERMOIL					
35	11001597	ST.STEEL STEAM TUBE MP5000 ASSY.					
36	140328561	OR D=4,18 X 1,90 IN TERMOIL					
37	9161.205	STEAM TAP SHAFT					